

# Accessories

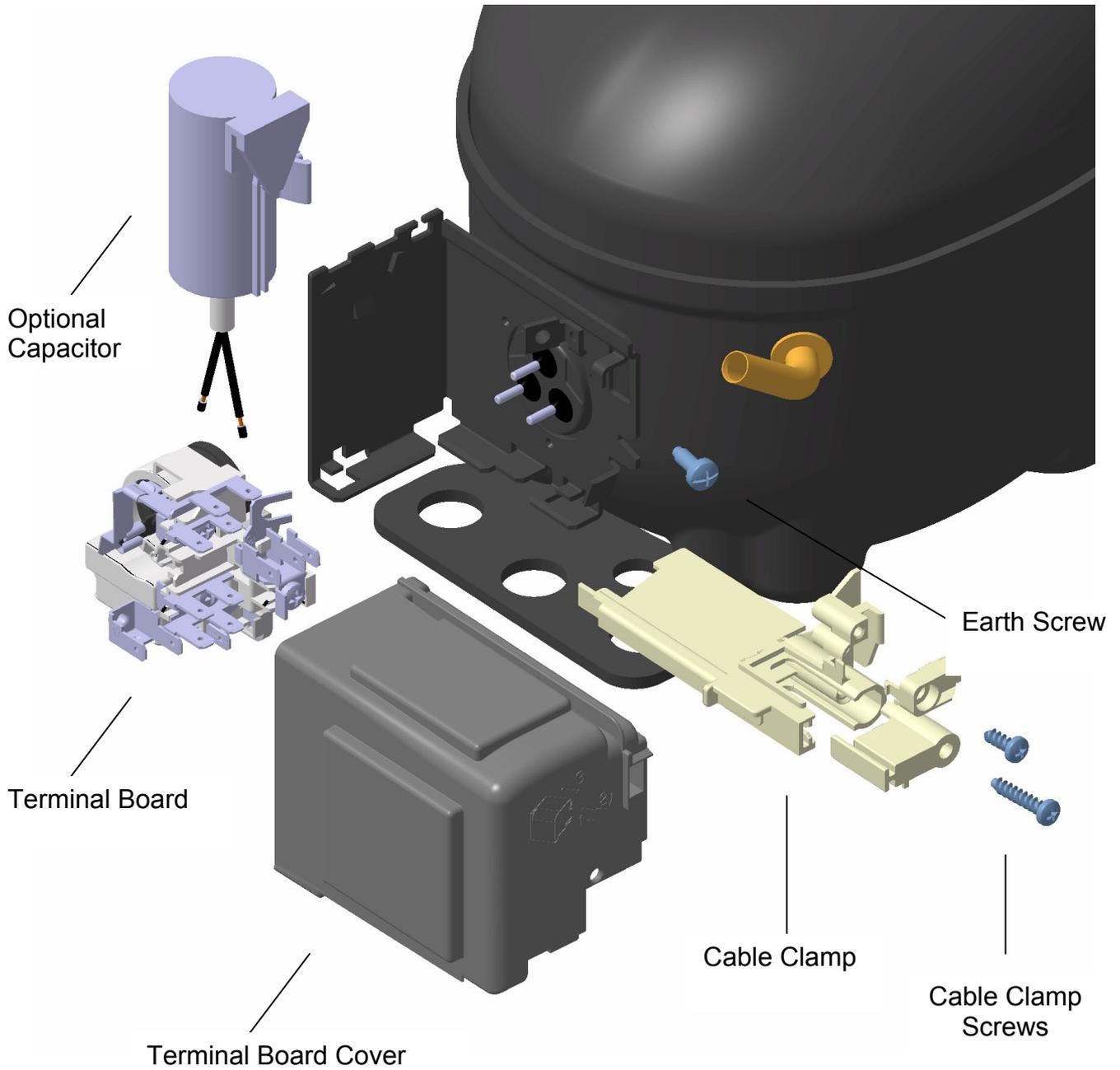
## KAPPA

## Table of Content

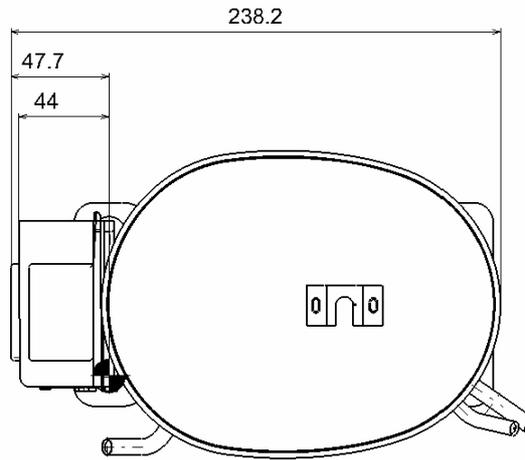
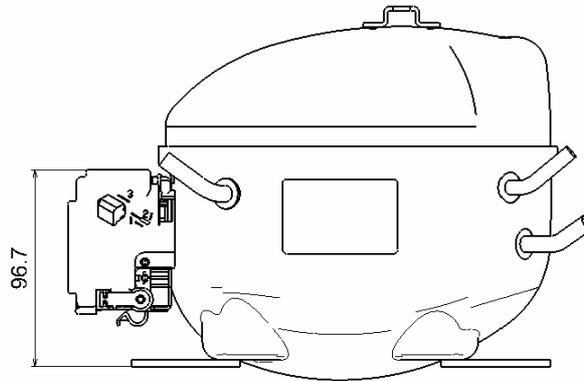
<b>1</b>	<b>Electrical Components</b>	<b>3</b>
1.1	ECC terminal board assembly	3
1.2	Outline with Terminal Board Cover	4
<b>2</b>	<b>Electric Terminal Circuit Diagram</b>	<b>5</b>
2.1	Standard Frontal Version	5
<b>3</b>	<b>Mounting Accessories</b>	<b>6</b>
3.1	Standard	6
3.2	Optional	6
<b>4</b>	<b>Evaporation Tray</b>	<b>7</b>
4.1	Dimension of Evaporation Tray	7
4.2	Outline Dimension with Evaporation Tray	8

# 1 Electrical Components

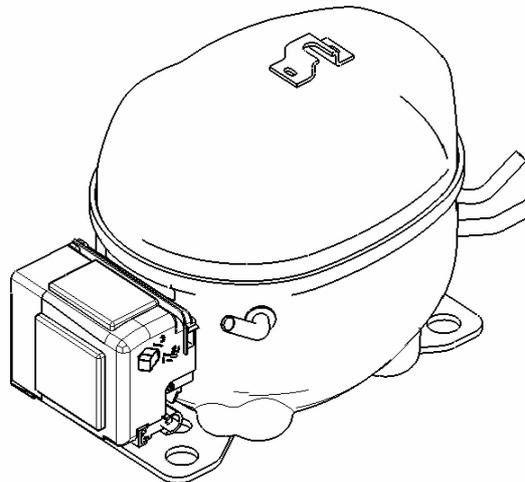
## 1.1 ECC terminal board assembly



**1.2 Outline with Terminal Board Cover**

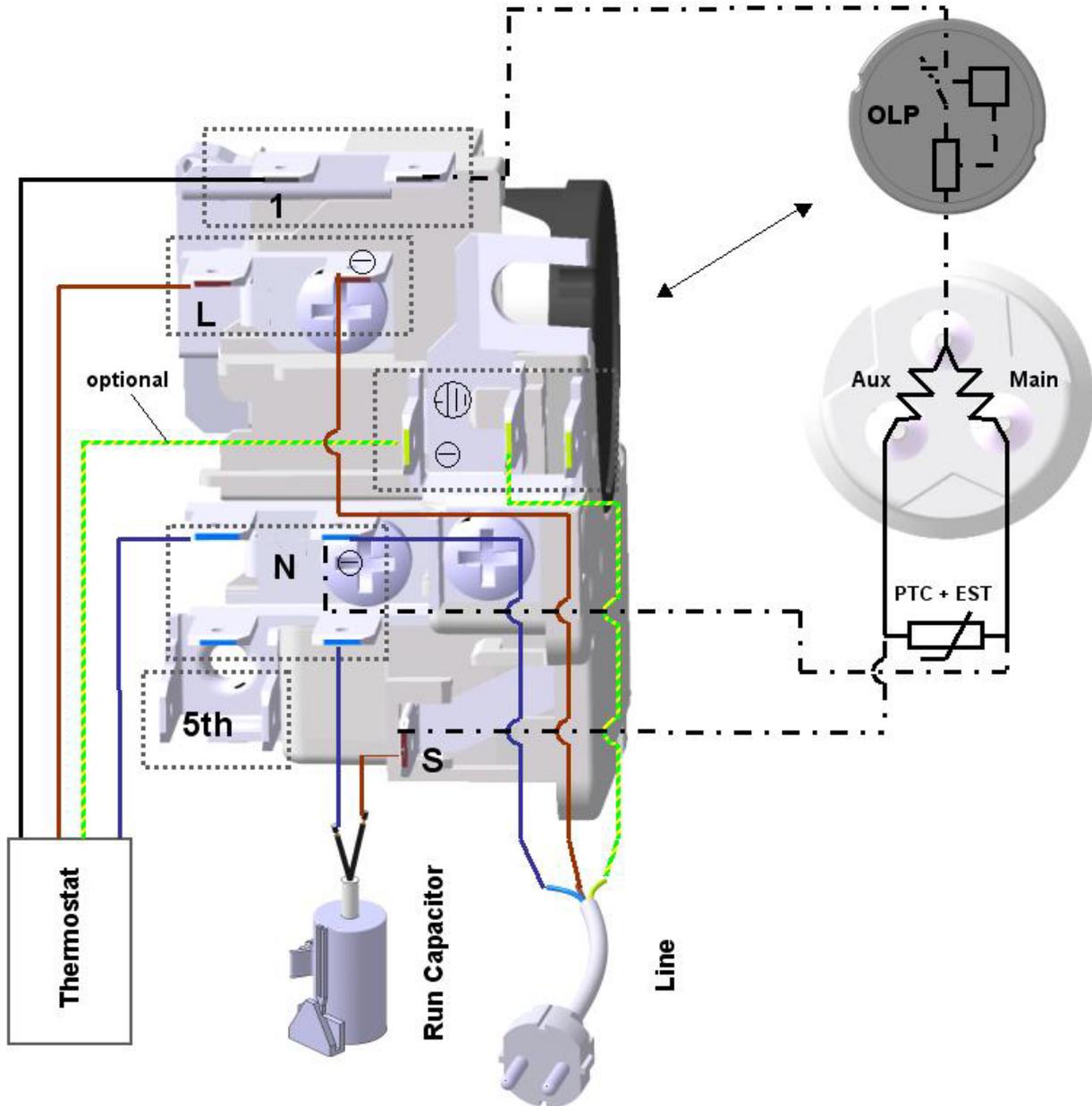


**Isometric View**



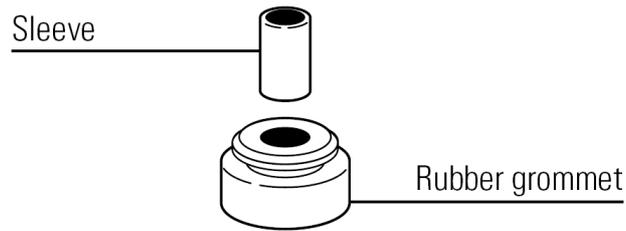
## 2 Electric Terminal Circuit Diagram

### 2.1 Standard Frontal Version

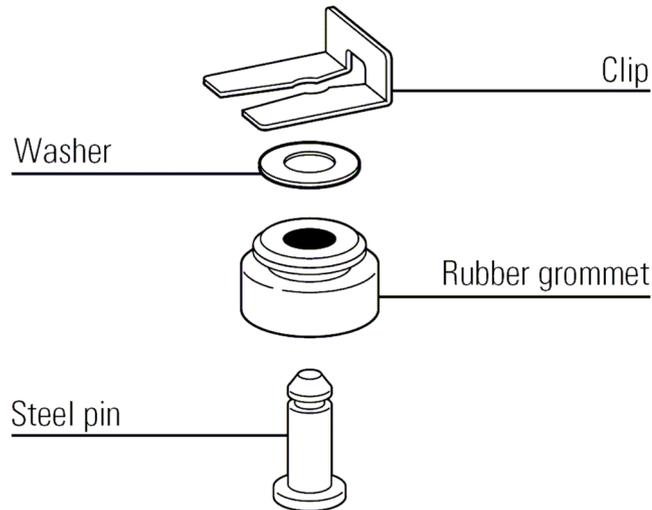


### 3 Mounting Accessories

#### 3.1 Standard

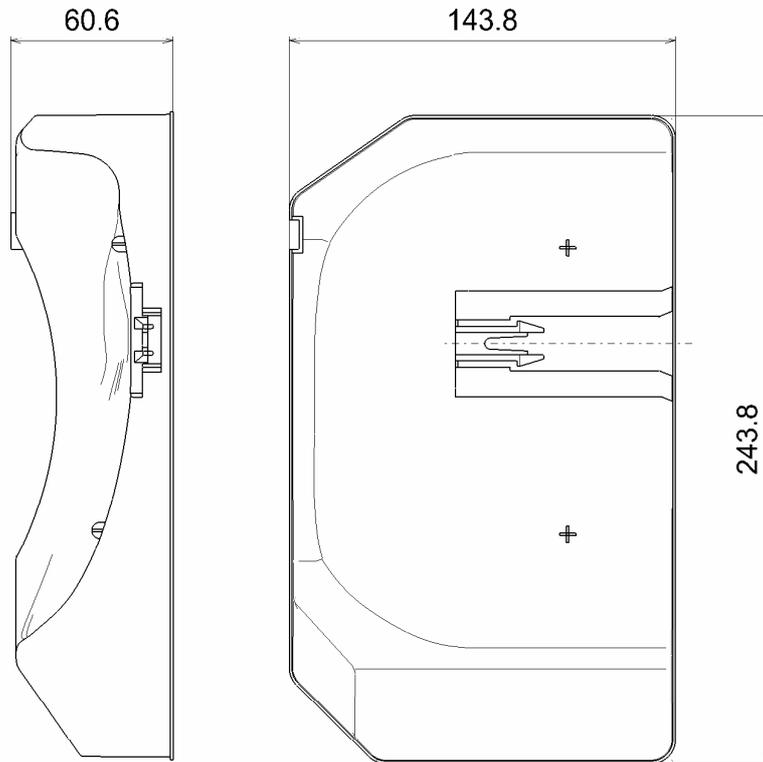


#### 3.2 Optional

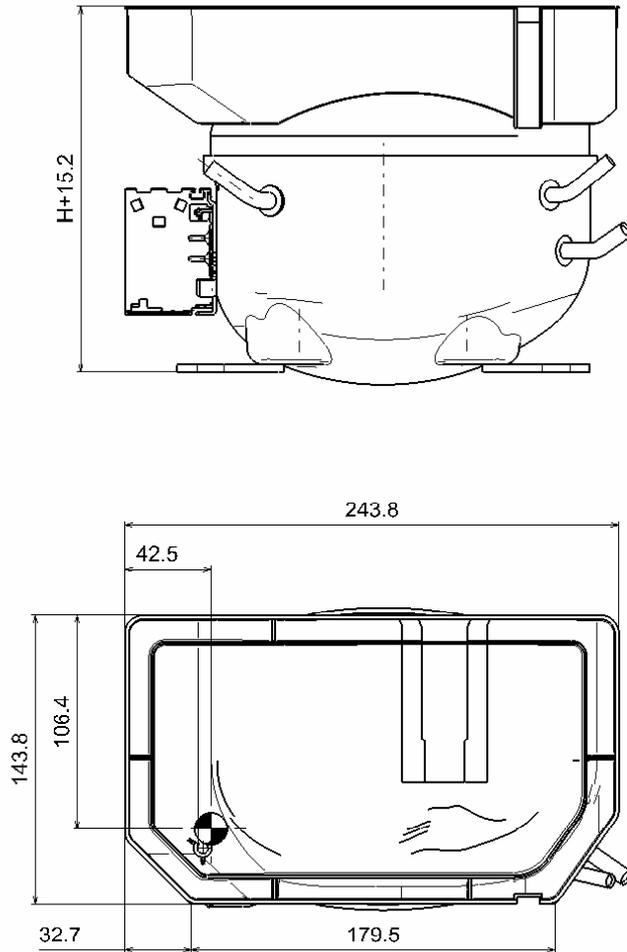


## 4 Evaporation Tray

### 4.1 Dimension of Evaporation Tray



**4.2 Outline Dimension with Evaporation Tray**



**Isometric View**

