

## OPTIMAX 25 C

wall-mounted gas fired,  
pre-mix  
condensing combination boiler

ISO 9001 : 2000  
CERTIFIED COMPANY



CE

INSTRUCTIONS FOR USE INSTALLATION AND MAINTENANCE

G C N° 47-267-34

## IMPORTANT

Your "benchmark" Installation, Commissioning and Service Record Log Book is enclosed in the last pages of this manual. "This record must be completed and left with the end user".

Ferroli is a member of the Benchmark initiative and fully supports the aims of the programme. Benchmark has been introduced to improve the standards of installation and commissioning of central heating systems in the UK and to encourage the regular servicing of all central heating systems to ensure safety and efficiency.

Please see installation and servicing guidelines.



This symbol indicates "**Caution**" and is placed next to all safety information. Strictly follow these instructions in order to avoid danger and damage to persons, or property.



This symbol calls attention to a note or important information, please read thoroughly.



- Read the warnings given in this manual thoroughly. They provide important information for safe installation, use and maintenance
- By law the instruction manual be left with the end user.
- If the appliance is sold or transferred to another owner or if the owner moves, leaving the appliance behind, always ensure that the manual is kept with the appliance for consultation by the new owner and /or installer.
- Incorrect installation or poor maintenance absolves the manufacturer from all liability for damage to people or property.
- Installation and maintenance must be carried out in conformity with current legislation, according to the manufacturer's instructions and by qualified personnel.
- Before service or maintenance work is, carried out isolate the appliance from the mains electricity supply.
- In the event of malfunction or faulty operation, isolate the appliance. Do not attempt to repair or carry out any other operation on the appliance directly. Contact qualified personnel only.
- Repairs or the replacement of components must be carried out exclusively by qualified personnel using original spare parts only. Failure to respect the above may compromise the safety of the appliance.
- To guarantee efficient operation, the appliance must be serviced once a year by a corgi registered engineer.
- The appliance may not be used for purposes other than those for which it was explicitly designed. Any other use is considered improper and therefore dangerous.
- Incorrect installation and use or failure to follow the instructions provided by the manufacturer absolve the manufacturer from all liability for damage.
- After unpacking, check that the contents are complete and undamaged.
- Keep the packaging out of reach of children as it is potentially hazardous.
- To clean external parts, use a damp cloth moistened with soapy water if necessary. Avoid using abrasive cleaning products and solvents.

## Declaration of conformity

Manufacturer: FERROLI S.p.A.

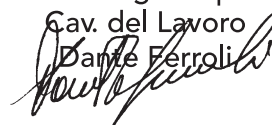
Address: Via Ritonda 78/a 37047 San Bonifacio VR Italy

declares that this unit complies with the following EU directives:

- Gas Appliance Directive 90/396
- Efficiency Directive 92/42
- Low Voltage Directive 73/23 (amended by 93/68)
- Electromagnetic Compatibility Directive 89/336 (amended by 93/68)



President and Legal Representative

Cav. del Lavoro  
 Dante Ferroli  




<b>1. OPERATING INSTRUCTIONS.....</b>	<b>4</b>
1.1 Introduction .....	4
1.2 Control panel .....	5
1.3 Turning ON and OFF .....	6
1.4 Adjustments .....	6
1.5 Maintenance.....	7
1.6 Faults.....	7
1.7 Optional Time Clock .....	8



<b>2. INSTALLATION .....</b>	<b>9</b>
2.1 General Instructions.....	9
2.2 Boiler location .....	10
2.3 Boiler water connections .....	11
2.4 Connection to the gas system.....	13
2.5 Electrical Connections .....	13
2.6 Flue system .....	14
2.7 Condensate outlet connection .....	20
2.8 Ferrolì Optimax (optional) Time clock installation. ....	22



<b>3. SERVICE AND MAINTENANCE.....</b>	<b>23</b>
3.1 Adjustments .....	23
3.2 System start-up .....	24
3.3 Maintenance.....	25
3.4 Troubleshooting.....	27



<b>4 TECHNICAL CHARACTERISTICS AND DATA.....</b>	<b>29</b>
4.1 Dimensions and connections .....	29
4.2 General view and main components .....	30
4.3 Hydraulic diagram.....	31
4.4 Technical data table.....	32
4.5 Diagrams .....	33
4.6 Wiring diagram .....	34
<b>BENCHMARK .....</b>	<b>36</b>

# 1. OPERATING INSTRUCTIONS

## 1.1 Introduction

Dear Customer,

Thank you for choosing **Optimax 25 C**, a FERROLI wall-mounted boiler of the latest generation, featuring advanced design and cutting-edge technology.

**Optimax 25 C** is a high-efficiency **condensing pre-mix** appliance for heating with extremely low emissions, running on natural gas or LPG.

The **boiler** consists of an aluminium laminar heat exchanger providing effective condensation of the water vapour contained in the flue gases, permitting extremely high efficiency.

Above the heat exchanger, in the boiler, there is a **pre-mix burner**, with a large ceramic surface, equipped with electronic ignition and ionization flame control, which achieves extremely low emissions while ensuring high reliability and long life operation.

The boiler is totally **room sealed** from the installation room: the air needed for combustion is drawn from outside. The boiler also includes a modulating speed fan, modulating gas valve, pump, expansion vessel, safety valve, flow sensor, temperature sensors, a safety thermostat and a low pressure switch.

Thanks to the **twin microprocessor** control and adjustment system with advanced self-diagnosis, unit operation is for the most part automatic. The power for heating is automatically governed by the control system.

The user only has to set the temperature desired inside the home by means of a room thermostat and appliance temperature control. The adjustment and control system will provide optimum operation throughout the year.

The display continuously provides information on the unit's operating status and it is easily possible to obtain additional information on the sensor temperatures, set-points, etc. or configure them. Any operating problems associated with the boiler or system is immediately signalled by the display and, if possible, corrected automatically.



## 1.2 Control panel

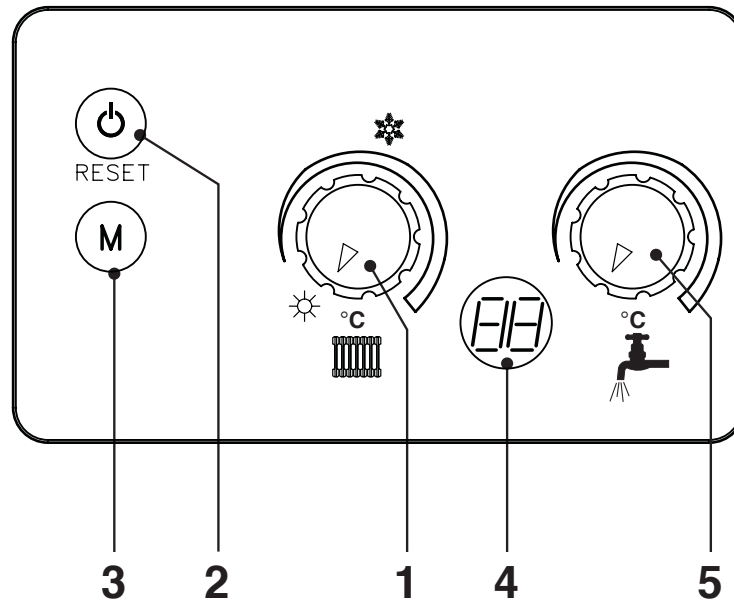


fig. 1

### **1 - System temperature adjustment / Summer/Winter selection**

This knob is used to adjust the system temperature from 20°C to 90°C and can switch over between summer / winter. To increase the system temperature, turn the knob clockwise; anticlockwise to decrease it. To select the summer mode, turn it anticlockwise to the minimum setting. (See page 6).

### **2 - ON-OFF / Reset / Test**

Holding the key down for at least 5 seconds turns off the boiler. To turn it back on, press the key again for 5 seconds.

Pressing the key resets boiler operation after a shutdown or lock-out.

Pressing the key 3 times within 5 seconds automatically takes you to TEST operation, (15mins at maximum heating output) to exit test mode repeat the process by pressing the key a further 3 times within 5 seconds.

### **3 - Multi-function**

In combination with the reset key, this is used to access the Installer menu.

### **4 - Operating display**


On stand-by and during boiler operation this indicates the boiler operating temperature, (a flame point at the bottom of the display will illuminate to indicate the burner has lit) or a fault code if a problem occurs.

### **5 - Hot water temperature adjustment control**


Used to set the hot water temperature, turning the knob clockwise increases the temperature, anticlockwise decreases it. The adjustment range goes from 40 to 65°C (see page 6).


### 1.3 Turning ON and OFF

#### Ignition

- Open the gas cock on the boiler.
- Purge the air from the pipework upstream of the gas valve.
- Ensure the power is on to the appliance.
- Press the  key to turn the appliance on (fig 1 item 2)
- The boiler is now ready to function automatically whenever the external controls are calling for heat.

#### Turning off

Press the  key for 5 seconds (see fig. 1).

When the boiler is turned off with this key, the p.c.b is still powered, heating operation is disabled and the display appears  however the frost protection will still be active.

**To totally isolate close the gas cock ahead of the boiler and disconnect electrical power.**




To avoid damage caused by freezing during long shutdowns in winter, it is advisable to drain all water from the system.

### 1.4 Adjustments

#### Room temperature adjustment (using a room thermostat )


Using the room thermostat, set the temperature desired in the rooms. Controlled by the room thermostat, the boiler lights and heats the system water to the system delivery setpoint temperature. The burner shuts down when the desired temperature in the room is reached.

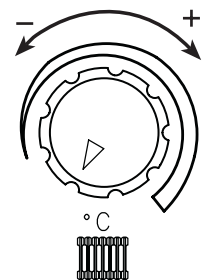
 A room thermostat and programmer are a mandatory requirement (Building regulations Doc 'L' 2002).

#### Heating temperature setting

To set the system flow temperature, use the C.H control knob (ref. 1 - fig. 1). It can be varied from a minimum of 20°C to a maximum of 90°C.


To set the central heating temperature, use the C.H control knob. Turning it clockwise increases the temperature, turning it anticlockwise decreases it.

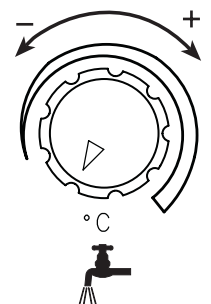
 When adjusting the control knob the display will flash for 5 seconds and display the set point temperature. It will then revert to showing the actual temperature.



#### Domestic hot water temperature adjustment

To set the hot water temperature, use the D.H.W. control knob. Turning it clockwise increases the temperature, turning it anticlockwise decreases it. It can be varied from a minimum of 40°C to a maximum of 65°C.

 When adjusting the control knob the display will flash for 5 seconds and display the set point temperature. It will then revert to showing the actual temperature.



## Summer/Winter selection

To select Summer/Winter, use knob 1 (fig. 1).

Turning it onto ☀️ (Summer) turns off the heating function but the frost protection remains active.

Turning it onto ❄️ (Winter) turns on heating, via the room stat and programmer.



The boiler can still produce domestic hot water during summer mode whenever there is a demand.



## 1.5 Maintenance


It is strongly recommended to carry out annual maintenance of the boiler and heating system. Please refer to the "maintenance" section in this manual.


The casing, the control panel and the aesthetic parts of the boiler can be cleaned using a soft and damp cloth, **do not use abrasives or solvents.**

## 1.6 Faults

In the unlikely event of an operating problem, or component failure, the display flashes and a fault identification code appears.

Listed below are the faults that can be caused by simple, user-detectable problems.

The boiler is equipped with an advanced self-diagnosis system. Should a fault occur with the boiler, the display will show the fault code. There are some faults that in order to restore operation it requires you to press RESET  (2 - fig. 1); if the boiler fails to start, it may be necessary to rectify the fault indicated by the operating LEDs (faults from 1 to 26); other faults cause temporary shutdown that are automatically reset as soon as the value comes back within the boiler's normal working range (faults from 30 to 47).

Example		
DISPLAY	Fault	Cure
01	Boiler failed to light	Make sure that the gas isolation valve up-stream of the boiler and on the meter are open. Press the RESET button  (2 Fig. 1).
37	Insufficient system pressure	Fill the system to 1-1.5 bar by use of the filling loop.

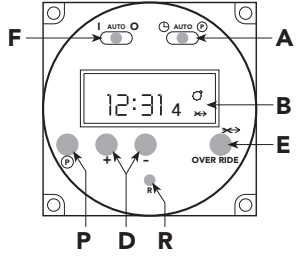
If the problem remains after two attempts at resetting, contact your nearest FERROLI Caresafe. For further fault codes, refer to section 3.4 "Troubleshooting".



Before calling the FERROLI Caresafe centre, check that the problem is not due to an installation error or there being no gas or electricity.

## 1.7 Optional Time Clock

If a ferroli 24 hour time clock is fitted to the boiler this will control the central heating, the pre set times will only come into operation when both selector switches are moved to the "Auto" position.



**A** Slide switch: set clock - auto - set programme  
**B** Display. Symbol ☉ in Display = Timer ON  
**P** Select programme ON/OFF 1.....8  
**D** Push buttons Time + Time -  
**E** Over-ride: Boiler will switch ON if it is OFF; and OFF if it is ON  
**F** I=Heating continuous - AUTO=Heating timed - O=Heating disabled  
**R** Reset (with pencil) only with switch **A** in set clock position













### To set time of day

- Slide switch (**A**) to left position
- Using button + and - adjust until the correct time is shown on display (**B**).

**Pre Set Programmes.** The timer is pre programmed with 3 ON and 3 OFF times.

6:30 - 8:30	If these are suitable no programming is required and the slide switch ( <b>A</b> ) can be moved to the Auto position and the central heating will be ON for these periods. (12:00 - 12:00 will <u>not</u> switch on the boiler)
12:00 - 12:00	
16:30 - 22:30	

### To Set Own ON and OFF times. Symbol ☉ in Display = ON time

- Slide switch (**A**) to right position (**P**)
  - Use buttons + and - to set 1st ON time eg. 6:00  
 Display 
  - Press button (**P**)  
 Display 
  - Press button (**P**)  
 Display 
  - Press button (**P**)  
 Display 
  - Press button (**P**)  
 Display 
  - Press button (**P**)  
 Display 
- The timer can be programmed with up to 8 ON and 8 OFF times by repeating the above procedure.
  - Use buttons + and - to set 1st OFF time eg. 6:00  
 Display 
  - Use buttons + and - to set OFF time, eg. 9:00  
 Display 
  - Use button + and - to set 2nd ON time, eg. 12:30  
 Display 
  - Use button + and - to set 2nd OFF time eg. 14:00  
 Display 
  - Use button + and - to set 3rd ON time, eg. 16:00  
 Display 
  - Use button + and - to set 3rd OFF time eg. 23:30  
 Display 
- On completion of programming slide switch (**A**) to Auto position, the time of day will be displayed and the central heating will switch ON and OFF according to the programme set.

### Over ride

By pressing the over ride button (**E**) the timer programme is over ridden ie, if programme is in OFF time it will come ON and if in ON time will go OFF.

The timer will revert back to it set programme on reaching the next ON or OFF time.

When the programme is on over ride the sign ✕➔ will be shown in the display window (**B**).

### Reset Button

By the use of a pencil the reset button can be pushed (**R**). This will clear all programmes apart from those factory pre set.

**Reset is only possible with switch (A) in set Clock position!**



## 2. INSTALLATION

### 2.1 General Instructions



This device must only be used for the purpose for which it is specially designed. This unit is designed to heat water to a temperature below boiling point and must be connected to a heating system and/or a water supply system for domestic use, compatible with its performance, characteristics and its heating capacity. Any other use is considered improper.

**BOILER INSTALLATION MUST ONLY BE PERFORMED BY QUALIFIED PERSONNEL, IN ACCORDANCE WITH ALL THE INSTRUCTIONS GIVEN IN THIS TECHNICAL MANUAL, THE PROVISIONS OF CURRENT LAW, THE RECOMENDATION OF BS STANDARDS, ANY LOCAL REGULATIONS AND THE RULES OF COMPEDENT WORKMANSHIP.**

Incorrect installation can cause damage or physical injury for which the manufacturer declines any responsibility.

**This appliance must be installed strictly in accordance with these instructions and regulations:**

- The Gas Safety Regulations (Installations & Use).
- The Local Building Regulations.
- The Building Regulations (Part L).
- The Buildings Standards (Scotland - Consolidated) Regulations.
- British Standards Codes of Practice:

- B.S. 5440 Part 1 Flues
- B.S. 5440 Part 2 Air supply
- B.S. 5449 FORCED CIRCULATION HOT WATER SYSTEMS
- B.S. 6798 INSTALLATION OF GAS FIRED HOT WATER BOILERS
- B.S. 6891 GAS INSTALLATIONS
- B.S. 7671 IEE WIRING REGULATIONS
- B.S. 4814 SPECIFICATION FOR EXPANSION VESSELS
- B.S. 5482 INSTALLATION OF LPG
- B.S. 7593 TREATMENT OF WATER IN DOMESTIC HOT WATER CENTRAL HEATING SYSTEMS
- B.S. 5546 INSTALLATION OF HOT WATER SUPPLIES FOR DOMESTIC PURPOSES

Model Water Bye Laws

- B.S. 5955-8 PLASTIC PIPEWORK INSTALLATION

For Northern Ireland the rules in force apply



## 2.2 Boiler location

The unit's combustion circuit is sealed off from the installation room and therefore requires no compartment ventilation.

The installation room must be sufficiently well ventilated to prevent any dangerous conditions from forming in the event of even slight gas leakage. This safety standard is required by the EEC Directive no. 90/396 for all gas units, including those with a so-called sealed chamber.

Therefore the place of installation must be free of dust, flammable materials or objects or corrosive gases. The room must be dry and not subject to freezing.

The boiler is design to be installed on a solid wall. The wall fixing must ensure a stable and effective support for the appliance, using the bracket and fixings supplied.

If the unit is enclosed in cupboard or mounted alongside, there must be space for normal maintenance work. Fig. 2 and tab. 1 give the minimum clearances to leave around the unit.

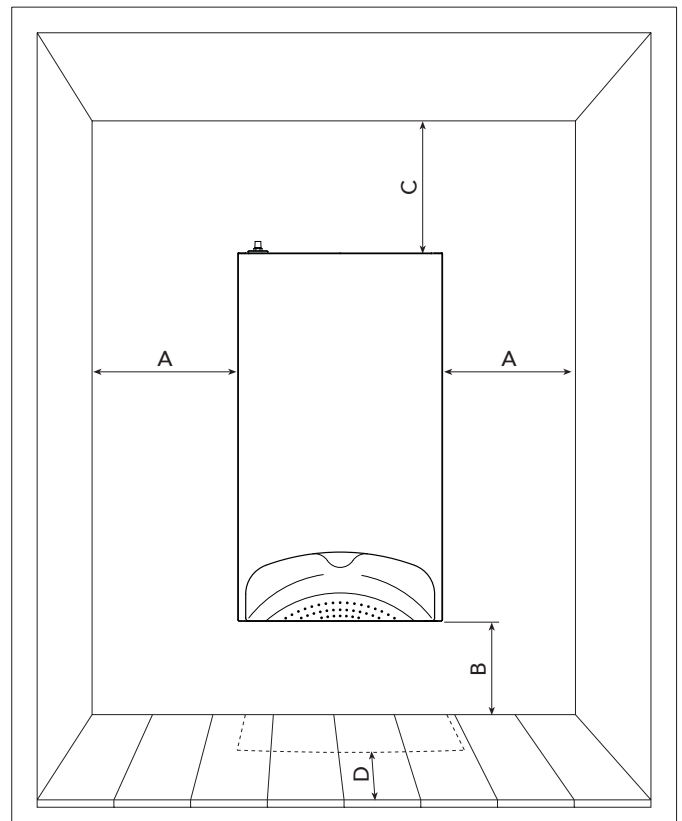


fig. 2

Table 1	
	Minimum
A	2,5 cm
B	20 cm
C	30 cm
D	60 cm (via an openable panel)

## 2.3 Boiler water connections

The heating capacity of the unit should be previously established by calculating the building's heat requirement according to current regulations. For good operation and long life of the boiler, the plumbing system must be well proportioned and always complete with all those accessories that guarantee regular operation and running, room thermostat, trv's and automatic bypass etc. The flow and return must be a minimum diameter of 22mm for the first 3 meters from the appliance.

If the flow and return pipes follow a path where air pockets could form in certain places, it is essential to install vent valves at these points. Also, install type "A" drain cock device at the lowest points in the system to allow complete draining.

The temperature differential between the flow manifold and the return to the boiler should not exceed 20° C.

A minimum flow of 6 litres/min is required through the heat exchanger, it is therefore essential to fit a automatic bypass a min of 3 meters away from the appliance, calibrated on site.

Do not use the water system pipes to earth electrical appliances.

Before installation, carefully flush all the pipes of the heating system to remove residues or impurities that could affect the unit's operation (BS 7593 Building regs Doc L).

Make the connections to the appliance as shown in fig. 5.

### Key

- 1 System flow (22 mm with isolation valve fitted)
- 2 DHW outlet (15 mm with isolation valve fitted)
- 3 Gas inlet (22 mm with isolation valve fitted)
- 4 Cold main inlet (15 mm with isolation valve fitted)
- 5 System return - 22 mm with isolation valve fitted (c/w filter)
- 6 System drain
- 7 Condense outlet

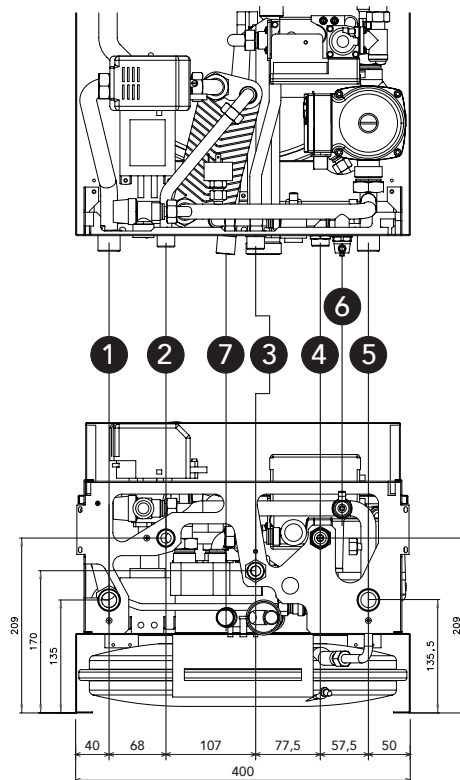


fig. 5

It is essential to install the isolation valves supplied between the boiler and heating system, allowing the boiler to be isolated from the system if necessary.

The safety valve outlet must be connected to a 15mm diameter copper pipe, with a continual fall from the boiler to allow system water out onto the ground in the event of over-pressure in the heating circuit. If this is not done, and the drain valve trips and floods the room, the boiler manufacturer is not to be held responsible. The outlet should face back against the outer brickwork or building face to prevent harm or injury from hot water discharging in the event of an over-pressurised system.

Make the boiler connection in such a way that its internal pipes are free of stress. If a check valve is installed on the tap water circuit (where applicable), it is necessary to mount a safety valve between the boiler and this circuit (check valve minimum 3 meters from boiler).

The isolation valve kit shown in Fig. 4 is supplied as standard.

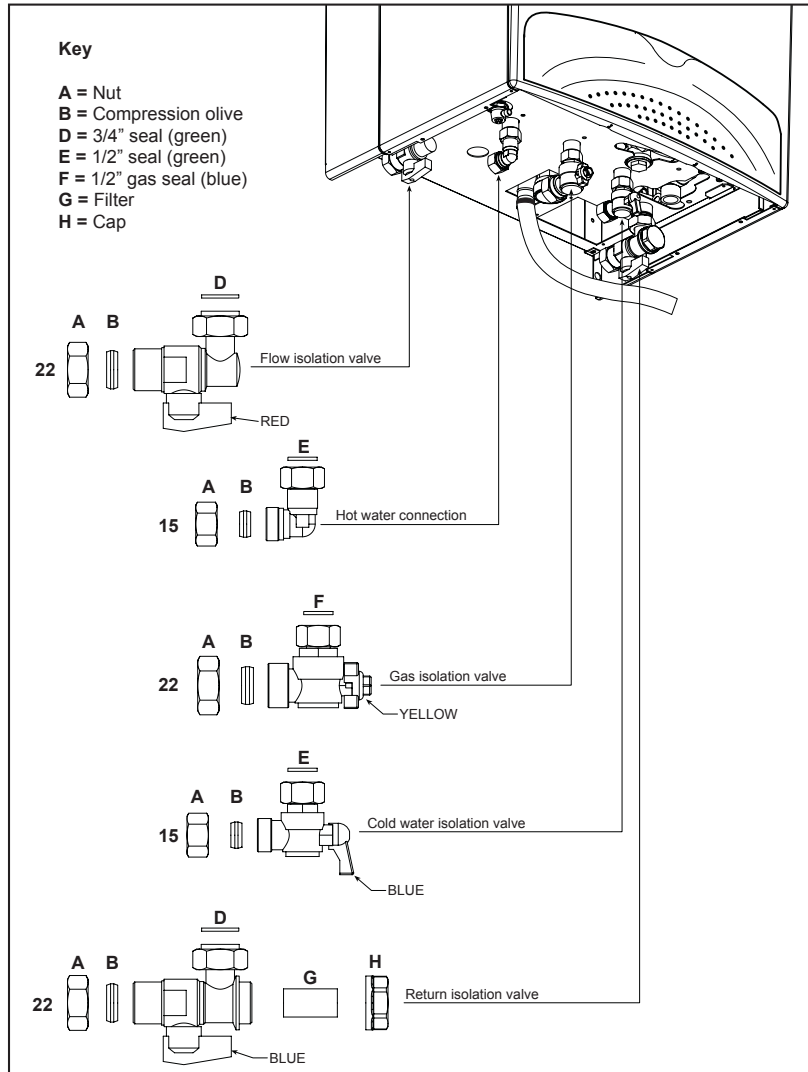


fig. 4

**Make Up Water**

Provision must be made for replacing water lost from the sealed system. Reference should be made to BS6798, for methods of filling and making up sealed systems. There must be no direct connection between the boiler's central heating system and the mains water supply. The use of mains water to charge and pressurise the system directly, is conditional upon the Local Water Byelaws. Again any such connection must be disconnected after use. Ensure the filling point is on the return pipe to the boiler.

**Attention** - is drawn to the Model Water Byelaws.

**Key**

- 1. C.H. filling valve.
- 2. Temporary connection.
- 3. Cold water supply valve.
- 4. Double check valve.



Fig. 5

## **Water treatment**

If treatment is used ferroli limited recommended only the use of Fernox or Sentinel water treatment products, which must be used in accordance with the manufactures instructions. for further information contact:

Fernox Manufacturing Co. LTD.	Sentinel Division
Cookson Electronics, Forsyth Road	Betz Dearborn LTD
Sheerwater, Woking, surrey, GU21 5RZ	Widnes, Cheshire WA8 8ND
Tel: 0870 8700362	Tel: 0151 424 5351

**Note** - If the boiler is installed in an existing system any unsuitable additives must be removed by thorough cleansing. All systems should be cleansed according to B.S. 7593.

**Note** - In hard water areas treatment to prevent lime scale may be necessary.

**Note** - It is important that the correct concentration of the water treatment product is maintained in accordance with the manufacturers instructions.

## **2.4 Connection to the gas system**

If necessary the local Gas supplier should be consulted, at the installation planning stage, in order to establish the availability of an adequate supply of gas.

An existing service pipe must **not** be used without prior consultation with the local Gas supplier.

A gas meter can only be connected by the Local Gas supplier, or by a Local Gas suppliers Contractor. Installation pipes should be fitted in accordance with BS6891.

Appliance inlet **working pressure** must be 20mbar MINIMUM, for NG and 37 mbar minimum for commercial propane.

Do not use pipes of a smaller size than the combination boiler inlet gas connection (22 mm).



The complete installation must be tested for gas soundness and purged as described in BS689. All pipework must be adequately supported. An isolating gas valve is provided and should be fitted on the boiler gas inlet. Please wait 10 minutes when lighting from cold before checking gas rate. Gas pressures should be checked after the boiler has operated for 10 minutes to reach thermal equilibrium. This appliance has no facility to check the burner pressure, a combustion test should be carried out instead (see page 26 combustion analyser testing).



The isolation kit shown in Fig. 4 is supplied as standard.

## **2.5 Electrical Connections**

The unit must be installed in conformity with current national and local regulations.

### **Connection to the electrical grid**


The boiler must be connected to a single-phase, 230 Volt-50 Hz electric line.



The unit's electrical safety is only guaranteed when correctly connected to an efficient earthing system executed according to current safety standards. Have the efficiency and suitability of the earthing system checked by professionally qualified personnel. The manufacturer is not responsible for any damage caused by failure to earth the system. Also make sure that the electrical system is adequate for the maximum power absorbed by the unit, as specified on the boiler dataplate, in particular ensuring that the cross sectional area of the system's cables is suitable for the power absorbed by the unit.

The boiler is prewired and provided with a cable for connection to the electricity line. The connections to the supply must be made with a permanent connection and equipped with a double pole switch which contacts have a minimum opening of at least 3 mm, and fused at max. 3A between the boiler and the line. It is important to respect the polarities (LIVE: brown wire / NEUTRAL: blue wire / EARTH: yellow-green wire) in making connections to the electrical supply.



 The user must never change the unit's power cable. If the cable gets damaged, switch off the unit and have it changed only by professionally qualified personnel. If changing the electric power cable, use only "HAR H05 VV-F" 3x0.75 mm<sup>2</sup> cable with a maximum outside diameter of 8 mm.

**Acces to the electrical terminal board**

Follow the instructions given in fig. 8 to access the electrical connection terminal board (fig. 8). The layout of the terminals for the various connections is given in the wiring diagram in the Tecnical Data chapter.

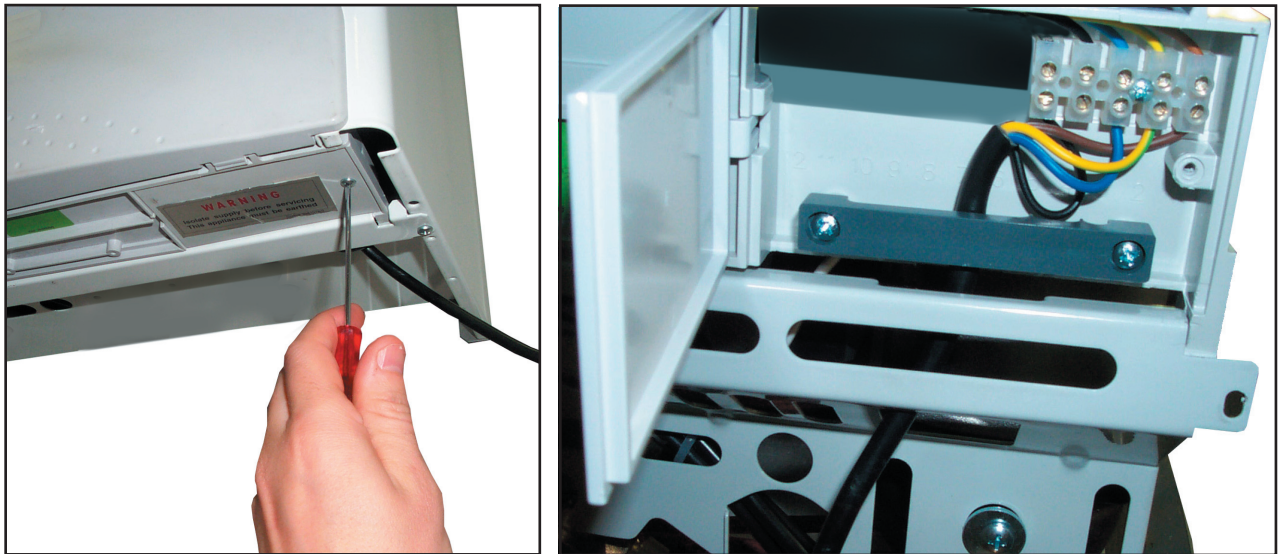



fig. 8

**External controls**

 CAUTION: THE ROOM THERMOSTAT AND TIME CLOCK WORK AT 230 V - 50 Hz PHASE (fig. 9).

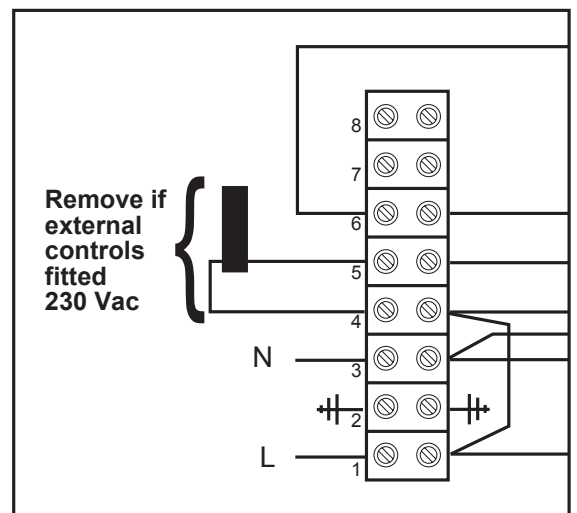



fig. 9

**2.6 Flue system**

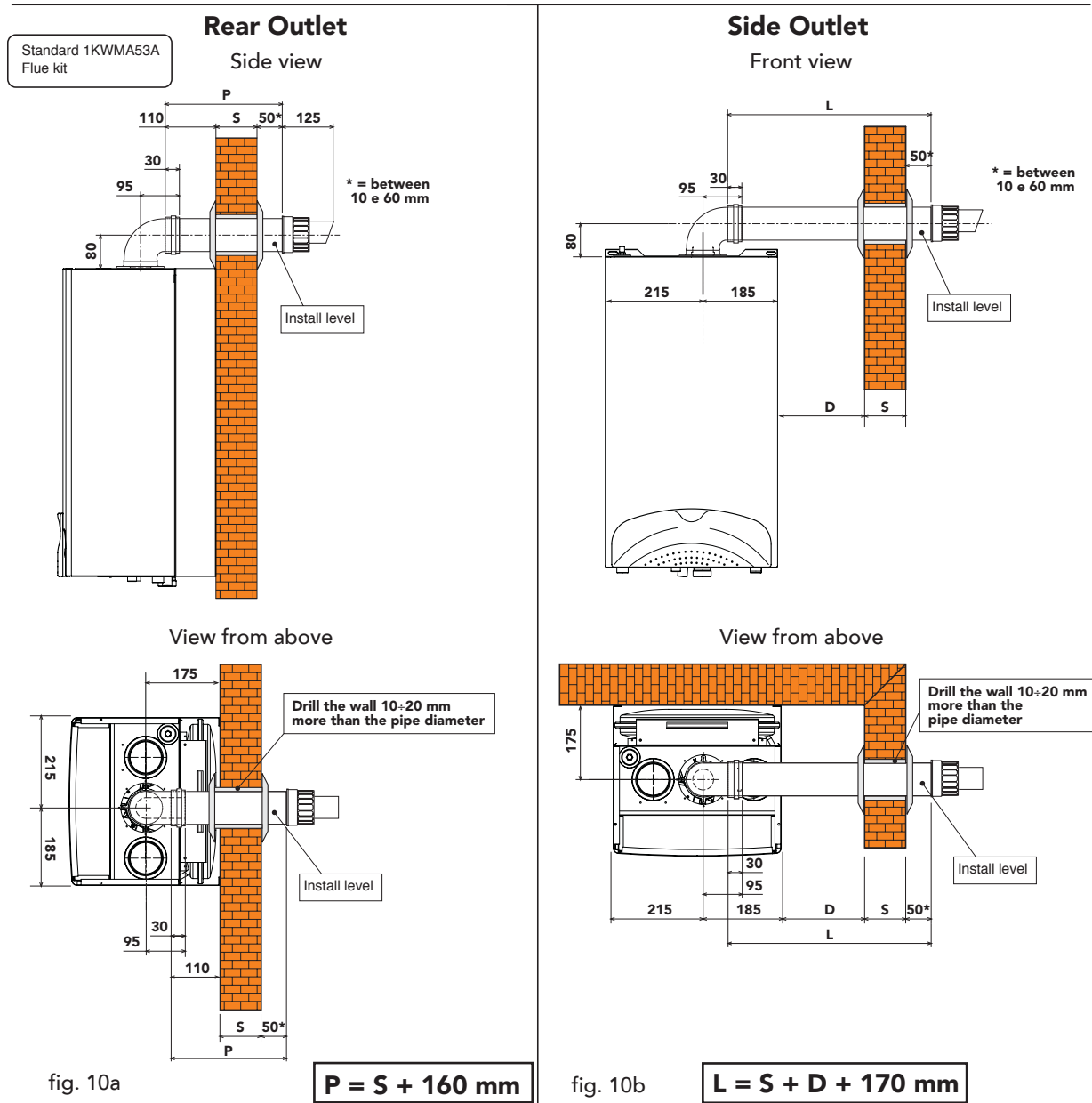
The unit is "type C" with a **sealed chamber** and forced draught, the air inlet and flue outlet must be connected to one of the following flue systems. With the aid of the tables and methods of calculation indicated, before commencing installation, it is first necessary to check that the flue system does not exceed the maximum permissible length. The current standards and local regulations must be observed.

 It should be noted that only Ferroli flue system and accessories should be used on this appliance, as per BS 5440 2000 and C.E. test certification.

## Connection with concentric flue system

The unit can be connected to a concentric air/flue duct with a wall or rooftop outlet as shown on the following drawings. Numerous accessories are available on request to meet the various installation requirements. Please refer to our "flue manual" or the price list.

### Standard concentric flue installation



## Horizontal flue installation

1. Define the position for installing the unit.
2. If using standard flue (1KWMA53A) this must be installed level, for non-standard flue lengths over 1mtr a fall of 3 mm per metre should be incorporated.
3. Make a hole of diameter 10 - 20 mm greater than the nominal diameter of the concentric pipe used.
4. If necessary, cut the terminal length to size, ensuring that the external pipe protrudes from the wall by between 10 and 60 mm (fig. 10a and 10b). Remove the cutting burrs.
5. Connect the flue to the boiler, positioning the seals correctly. Seal the flue into the wall with silicone or sand + cement and cover with wall seals provided.

Flue seals should be lubricated with a silicone type grease to prevent damage (grease not supplied)



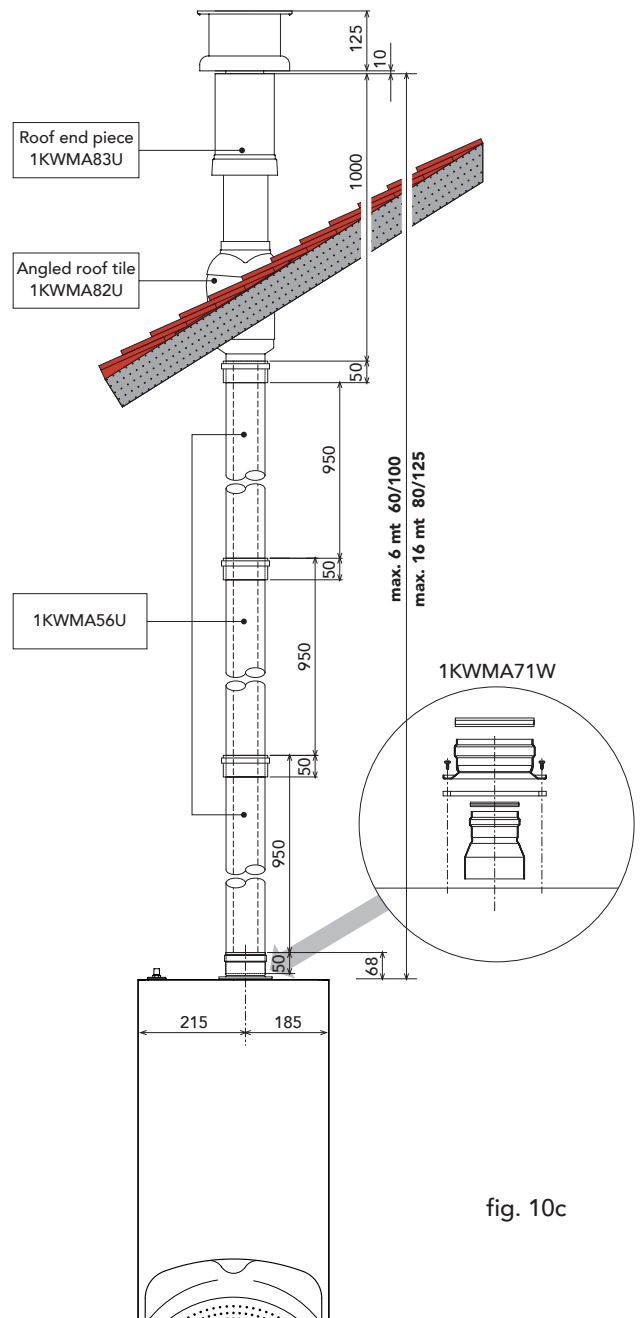
**Vertical Outlet**

The total length in equivalent metres of the concentric flue must not exceed the maximum lengths stated in the following table, note that each bend gives rise to the stated reduction. For example, a duct = 60/100 composed of 1 bend of 90° + 1 horizontal metre + 2 bends of 45° + 1 horizontal metre has a total equivalent length of 4 metres.

**Vertical flueing**

The installation of a concentric vertical flue can be carried out as follows, Install the appliance as previously mentioned in this manual.

1. Connect onto the flue assembly at the top of the appliance a concentric vertical adaptor part number 1KWMA71W,
2. Use the required amount of 1mtr flue extensions (part number 1KWMA56U) inserting them spigot down ensuring the seals are well lubricated with silicone grease (not supplied) and correctly located into the sockets.
3. If required 45° bends (Part number 1KWMA64A) may be used with a resistance value of 0.5mtrs each, the flue should be routed in such away to avoid any unnecessary deviation and thus minimise the amount of bends required.
4. The termination should be made through our concentric flue outlet (part number 1KWMA83U) in conjunction with a roof slate pitched (part number 1KWMA82U) or flat roof (part number 1KWMA81U) The storm collar must be fixed on using the three screws provided and sealed with an external grade silicone (not supplied).
5. For longer flue lengths a 125mm concentric flue system is available.
6. All flue installations must comply with BS5440 part 1 and must only be of Fèrrolì manufacture. The vertical flue must continually rise and be supported throughout its length. The flue must be inspected whilst commissioning the appliance to ensure it is sound throughout its length.



This information is for guidance purposes and Fèrrolì will in no way be held responsible for incorrect installation following this guide.

	Ø mm 60/100	Ø mm 80/125
Maximum permissible duct length (Horizontal)	5 m	15 m
Maximum permissible duct length (Vertical)	6 m	16 m

Reduction factors for bends	
Concentric bend at 90° - Ø 60/100 mm	1 m
Concentric bend at 45° - Ø 60/100 mm	0,5 m
Concentric bend at 90° - Ø 80/125 mm	0,5 m
Concentric bend at 45° - Ø 80/125 mm	0,25 m

fig. 10c



## Connection with 80 mm pipe system

The unit can be connected to a system of separate air/flue pipes for a wall or rooftop outlet as shown fig 11 - 12 . Numerous accessories are available on request to meet the various installation requirements. The components used most frequently are stated in tables 4 - 5. Please refer to the flue manual or the price list for additional components.

To check you do not exceed the maximum permissible flue length, it is necessary to make a simple calculation before installation:

1. For each component, tables 4 - 5 provide an "equivalent loss in linear metres", depending on the position of installation of the component (with air intake or flue extraction, vertical or horizontal).

The loss is called "equivalent length" since it is compared to the loss of one metre of flue (defined as equal to 1). For example, a bend at 90° of Ø80 in flue extraction has an equivalent loss of 2.5 linear metres, i.e. it has a loss equal to that of 2.5 linear metres of flue length.

2. After completely defining the layout of the system of split flues, add up the losses in equivalent metres, depending on the installation position, of all the components and accessories in the system.
3. Check that the total calculated loss is less than or equal to **75 equivalent metres**, i.e. the maximum permissible for this model of boiler.

For complete flue options please contact ferroli or check our comprehensive flue manual.

Ref.	N° Pieces	Description	Equivalent loss
2	23	Vertical air pipe Ø80	23,0 m
4	23	Vertical flue pipe Ø80	36,8 m
5	1	80 Ø vertical flue Kit	12,0 m
<b>Total</b>			<b>71,8 m</b>

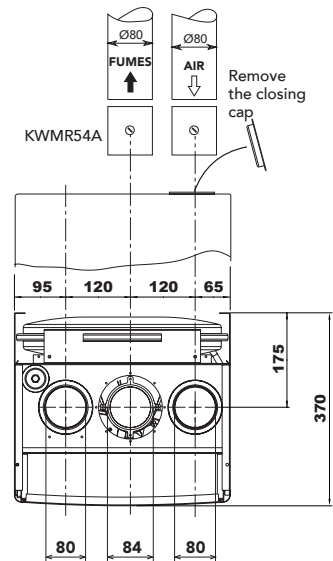


fig. 11

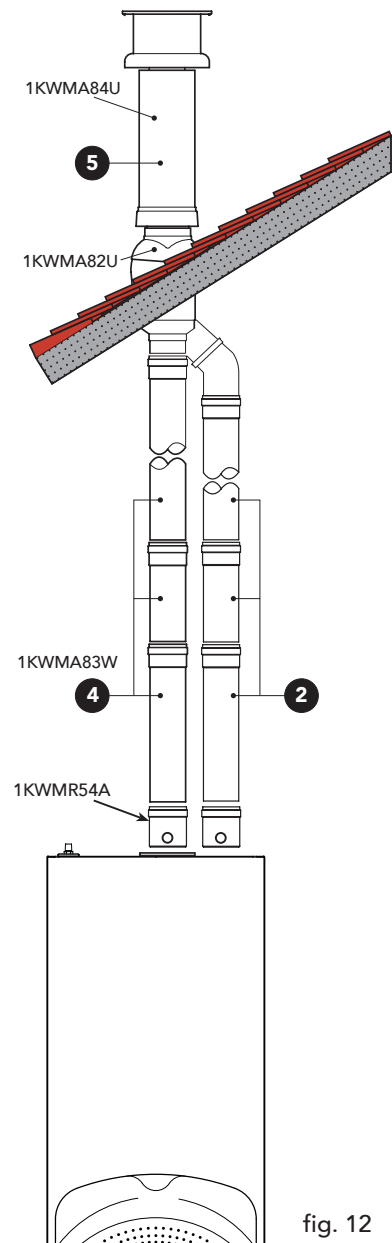


fig. 12

**Table of Ø80 flue and accessory**

Table 4

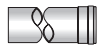





Accessories Ø 80		Equivalent losses in metres (linear)			
		Air		Flue	
Description		Vertical	Horizontal	Vertical	Horizontal
Pipe Ø 80 male-female	 KWMA83W • 1,00 m	1	1	1.6	2
Bend 45° Ø 80 mm male - female	 KWMA65W			1.2	1.8
Bend 90° Ø 80 mm male - female	 KWMA01W			1.5	2.0

Table 5

Accessories Ø 80		Equivalent losses in metres (linear)			
		Air		Flue	
Description		Vertical	Horizontal	Vertical	Horizontal
Horizontal flue terminal	 KWMA86A				5
Horizontal air terminal	 KWMA85A		2		
Vertical flue terminal	 KWMA84U				12

The stated loss values refer to genuine Ferroli flue accessories.

**Terminal Position**

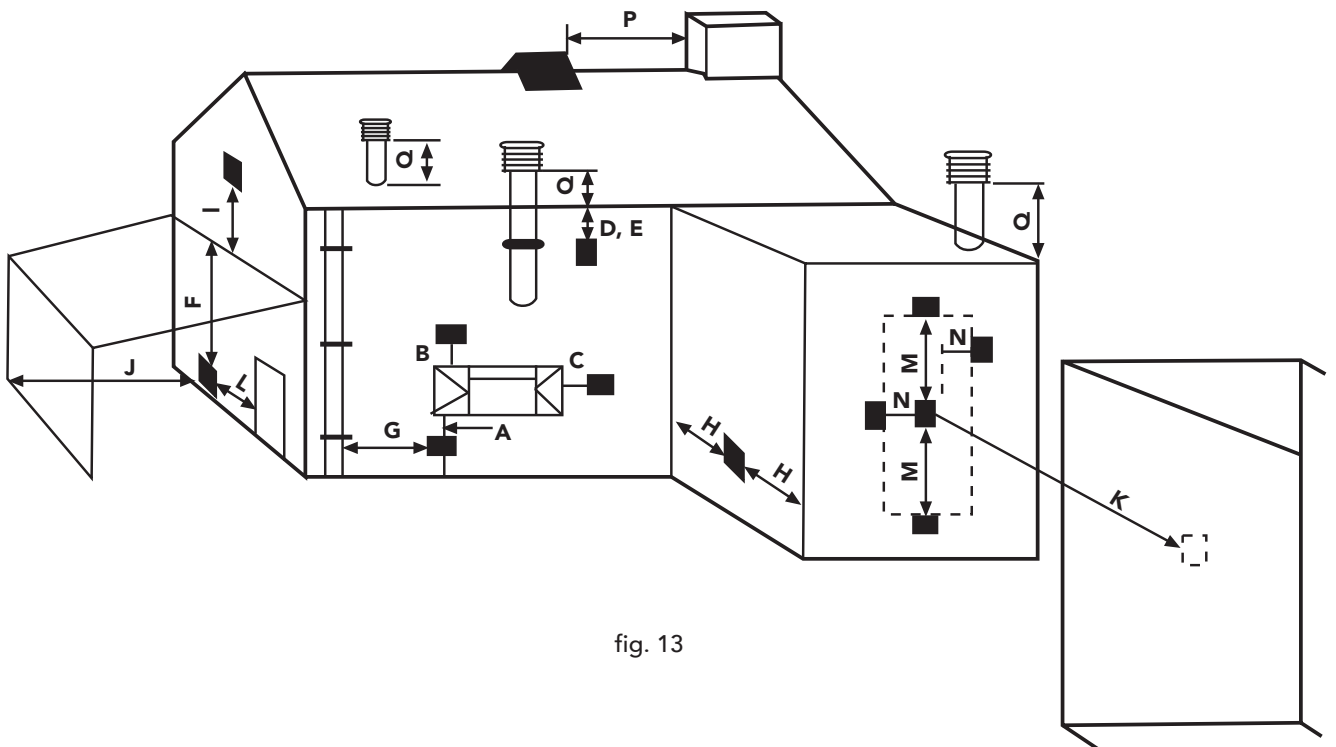


fig. 13

## Minimum Dimensions of Flue Terminal Positions

<b>A</b>	Directly below an opening, air brick, opening windows, etc.	300mm
<b>B</b>	Above an opening, air brick, opening windows, etc.	300mm
<b>C</b>	Horizontally to an opening, air brick, opening windows, etc.	300mm
<b>D</b>	Below gutters, soil pipes or drain pipes	75mm
<b>E</b>	Below eaves	200mm
<b>F</b>	Below balconies or car port roof	200mm
<b>G</b>	From a vertical drain pipe or soil pipe	150mm
<b>H</b>	From an internal or external corner	100mm
<b>I</b>	Above ground roof or balcony level	300mm
<b>J</b>	From a surface facing the terminal	600mm
<b>K</b>	From a terminal facing the terminal	1200mm
<b>L</b>	From an opening in the car port (e.g. door, window) into the dwelling	1200mm
<b>M</b>	Vertically from a terminal on the same wall	1500mm
<b>N</b>	Horizontally from a terminal on the same wall	300mm
<b>O</b>	From the wall on which the terminal is mounted	N/A
<b>P</b>	From a vertical structure on the roof	150mm
<b>Q</b>	Above intersection with roof	300mm

### NOTE

N/A = Not applicable

In addition, the terminal should not be nearer than 150mm (fanned draught) or 300mm (natural draught) to an opening in the building fabric formed for the purpose of accommodating a built-in element such as a window frame.

Condensing Terminal Positions: If the flue is to be terminated at low level, then the potential effect of the plume must be considered.

The plume should not be directed:

- across a frequently used access route
- towards a window or door
- across a neighbouring property

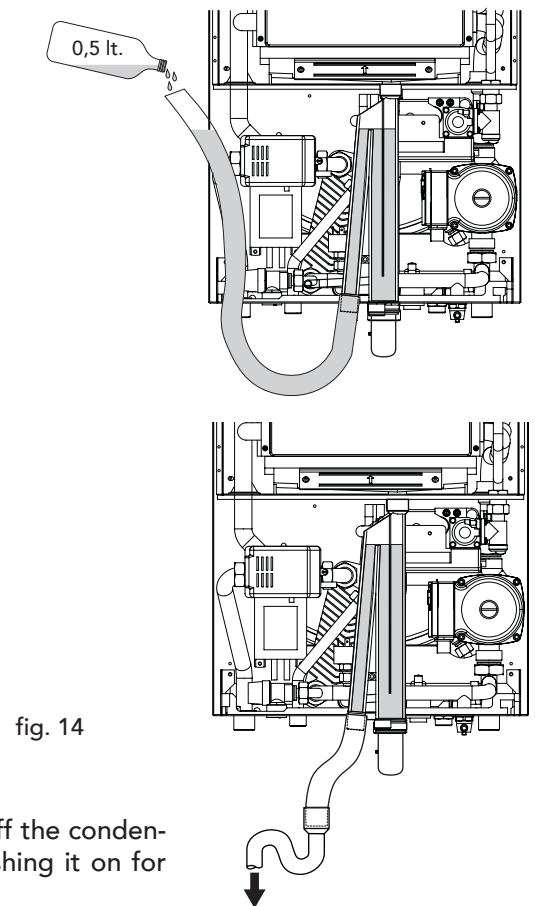
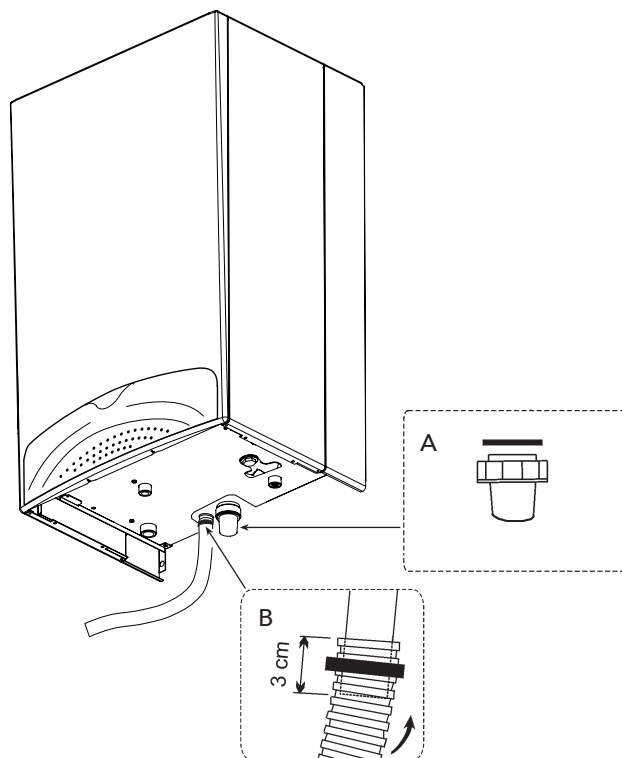
**Connection to collective flues or single flues with natural draught**

If you are then going to connect the **Optimax 25 C** boiler to a collective flue or a single flue with natural draught, the flue must be expressly designed by professionally qualified technical personnel in conformity with the standards and rules in force.

In particular, flues must have the following characteristics:

- Be sized according to the method of calculation stated in the standard
- Be airtight to the products of combustion, resistant to the fumes and heat and waterproof for the condensate
- Have a circular or square cross-section (some hydraulically equivalent sections are permissible), with a vertical progression and with no constrictions
- Have the flue conveying the hot fumes adequately distanced or isolated from combustible materials
- Be connected to just one unit per floor, for at most 6 units in all (8 if there is a compensation duct or opening)
- Have no mechanical suction devices in the main ducts
- Be at a lower pressure, all along their length, under conditions of stationary operation
- Have at their base a collection chamber for solid materials or condensation of at least 0.5 m, equipped with a metal door with an airtight closure.

**2.7 Condensate outlet connection**



The boiler is equipped with an internal air-trap to drain off the condensate. Fit the inspection coupling **A** and the hose **B**, pushing it on for approximately 3 cm and securing it with a clamp.

Fill the air-trap with approximately 0.5 ltrs of water and connect the hose to the waste system, or soakaway.

## Condensate discharge

Where possible the condensate should discharge into an internal soil pipe or waste system. The minimum pipe diameter required is 22 mm, a trap has already been fitted to the appliance with a flexible tail to facilitate the connection to the condensate discharge pipe.

The pipe should be a solvent weld plastic, not copper, as the condensate has a ph value of 4 (slightly acidic).

Where it is not possible to terminate internally, the condensate discharge pipe may be run outside (see below drawing).

Any external run is subject to freezing, in severe weather conditions. To avoid this the pipework should be installed to dispose of the condensate quickly, with as much as possible run internally, before passing through the wall.

Pipework external to the building should be increased in diameter to 32 or 40 mm solvent weld. It should be run to a external drain or soakaway, with a maximum length of 3 metres.

When a soakaway (condensate absorption point) is used, it should be constructed as shown below, or use a specifically designed unit, for example Mc Alpine SOAK1GR available from most plumbing and heating stockists.

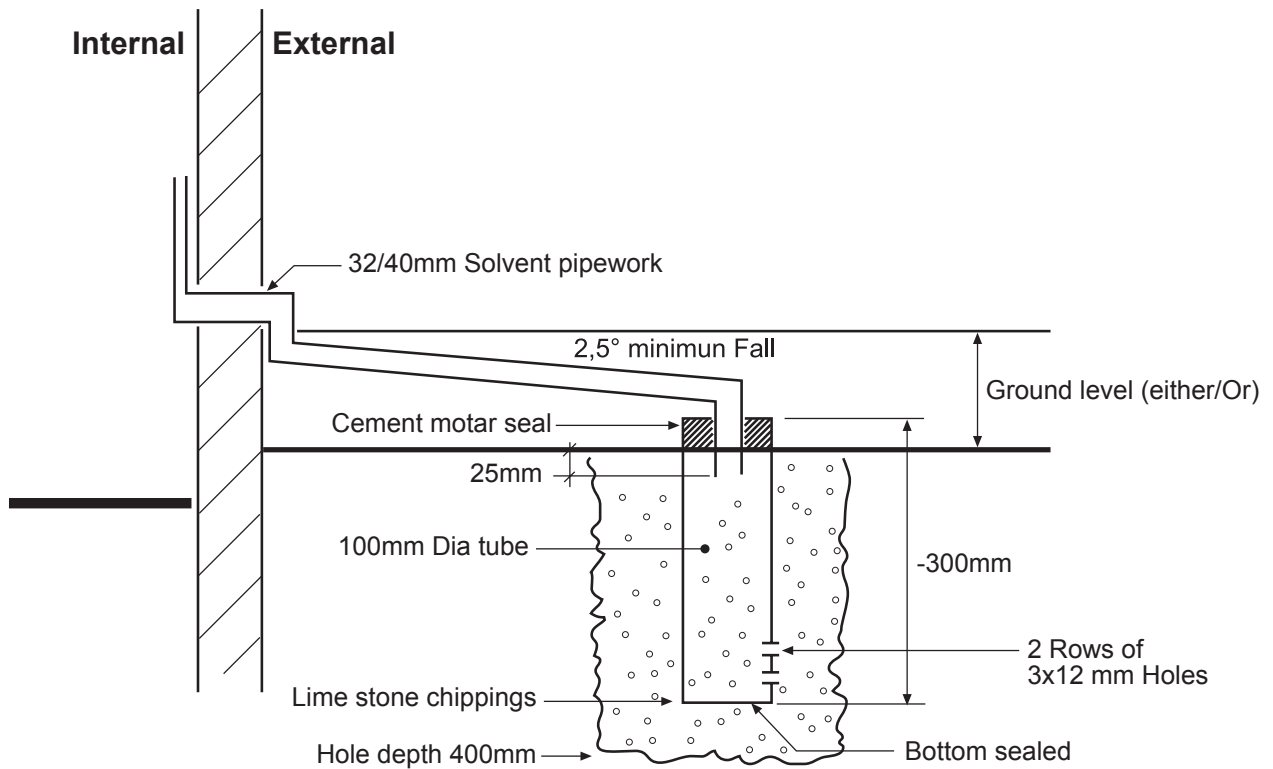
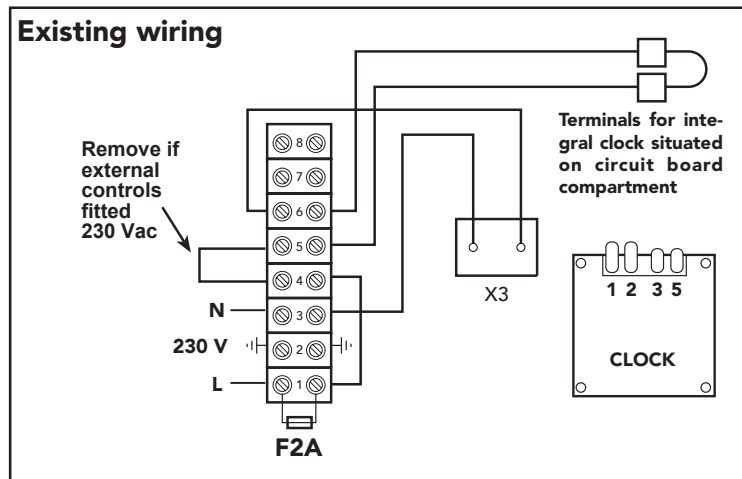
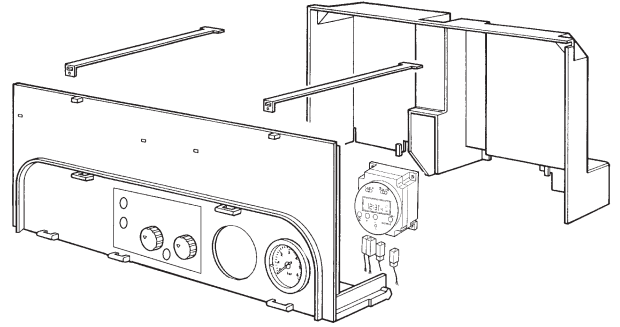


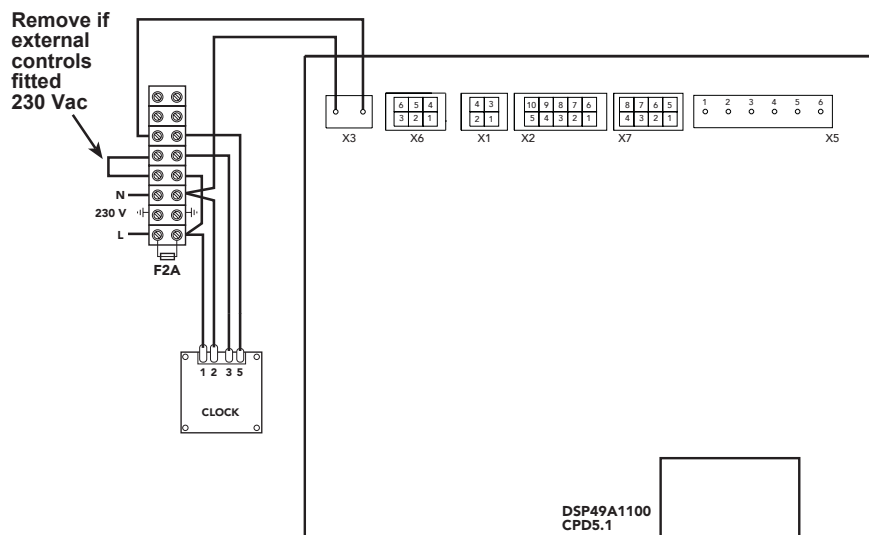
fig. 15

## 2.8 Ferroli Optimax (optional) Time clock installation.

- Remove outer case by removing four securing screws from the lower sides and lift off.
- Remove two screws securing fascia panel and swing the fascia panel down.
- Remove the four screws securing rear cover of the fascia and remove.
- Remove clock blanking plate from the panel.
- Mount clock into fascia panel using two screws provided.
- Take the black cable containing the blue and brown wires, cut off the molex connector and strip back the insulation by 4mm, connect the loose spades to clock terminals 1 & 2.
- Connect stripped end of the blue wire to terminal **N** of terminal block.
- Connect the stripped end of the brown wire to terminal **L** of terminal block.
- Remove the connector link from the 2 wires located behind the clock position.
- Connect these to terminal 3 and 5 of the clock.
- Replace fascia and outer case etc, in reverse order.
- Please refer to page 8 for the setting and use of the time clock.



### Wiring for integral clock and/or external controls



## 3. SERVICE AND MAINTENANCE

### 3.1 Adjustments

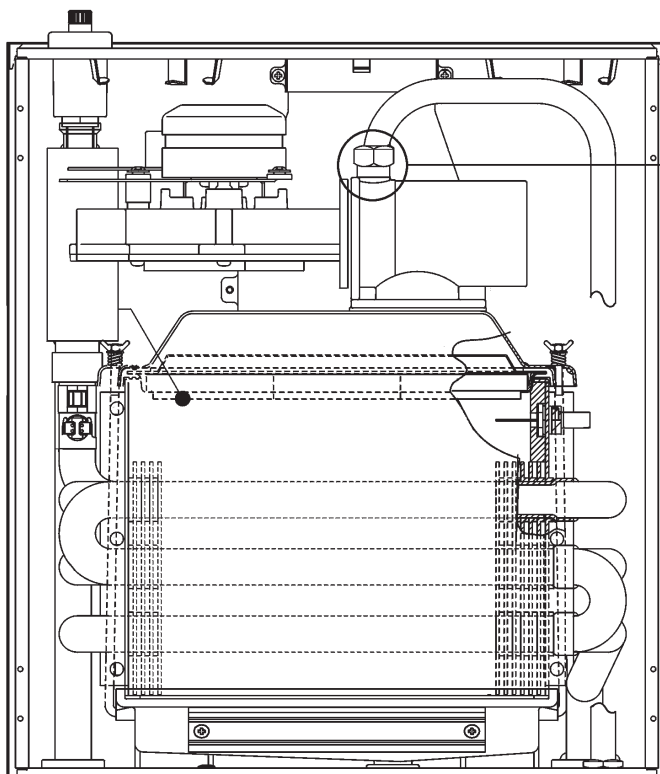
All adjustment and conversion operations must be carried out by Qualified Personnel such as ferroli Technical Service.

FERROLI declines any responsibility for damage or physical injury caused by unqualified and unauthorized persons tampering with the device.

#### Gas supply conversion

The unit can function with either Natural Gas or LPG (commercial propane) and is factory-set for use with one of the two gases, as clearly shown on the packing and on the unit's dataplate. Whenever a different gas to that for which the unit is preset has to be used, a conversion kit will be required, proceeding as follows:

- 1 Remove the casing.
- 2 Open the airtight chamber.
- 3 Unscrew the gas coupling **A** on the air/gas mixer.
- 4 Replace the injector in the mixer with the one contained in the conversion kit.
- 5 Refit the coupling **A** and check the connection is gastight.
- 6 Apply the sticker, contained in the conversion kit, near the dataplate.
- 7 Fit the airtight chamber and casing back on.
- 8 Check working pressure.
- 9 Set CO<sub>2</sub> mixture as detailed (page 26 combustion analyser testing).



**A**

	Natural gas	LPG
Nozzle Ø	See technical data table	

fig. 16



## 3.2 System start-up




Commissioning must be performed by Qualified Personnel.

Checks to be made at first ignition, and after all maintenance operations that involved disconnecting from the systems or an intervention of a safety device.

### **Before lighting the boiler:**

- Open any isolation valves between the boiler and the system.
- Check the tightness of the gas system, proceeding with caution and use gas leak detection fluid to detect any leaks in connections.
- Fill the water system and make sure that all air contained in the boiler and the system has been vented by opening the air vent valve on the boiler and any vent valves on the system.
- Make sure there are no water leaks in the system, hot water circuits, connections or boiler.
- Make sure the electrical system is properly connected.
- Make sure that the unit is connected to a good earthing system.
- Make sure there are no flammable liquids or materials in the immediate vicinity of the boiler.
- Vent and spin the pump.
- Ensure the flue system is correctly fitted, including terminal locations.

### **Ignition**

- Open the gas valve upstream of the boiler.
- Purge the air from the installation pipework to the appliance.
- Switch on the boiler fused spur.
- Press the  key on the boiler (see fig 1 item 2).
- The boiler is now ready to function automatically whenever the external controls call for heating.



In case of an electrical power failure while the boiler is working, the burner will go out. When power returns, the boiler will run the self-test cycle again, after which the burner will automatically re-ignite (if there is still demand for heat).

### **Checks during operation**

- Check the tightness of the gas circuit and water systems.
- Check the efficiency of the flue and air-flue ducts while the boiler is working.
- Check that the water is circulating properly between the boiler and the system.
- Make sure that the gas valve modulates correctly.
- Check the proper ignition of the boiler by performing various tests, turning it on and off with the room thermostat or remote control.
- Make sure that the fuel consumption indicated on the meter corresponds to that given in the technical data table in section 4.4 page 32

### **Turning off**

Press the  key for 5 seconds (see fig. 1.3 page 6).



## 3.3 Maintenance



The following operations are strictly reserved for Qualified Personnel, such as corgi registered engineers or Ferroli personeer.

### Seasonal inspection of the boiler and flue

It is advisable to carry out the following checks at least once a year:

- The control and safety devices (gas valve, flow meter, thermostats, etc.) must function correctly.
- The flue terminal end piece and ducts must be free of obstructions and leaks.
- The gas and water systems must be sound.
- The burner and exchanger must be clean.
- The electrodes must be free of scale and correctly positioned.
- The system pressure when cold must be approx 1 bar; otherwise, bring it to that value.
- The expansion vessel must be filled to 1 bar cold with zero system pressure.
- The gas flow and pressure must correspond to that given in table 10 section 4.4 page 32.
- The circulating pump must be vented and free of debris.
- The returned filter cleaned.
- The condensate trap inspection bowl should be cleaned and free of debris.



**Opening the casing**

To open the boiler casing, you need to follow the sequence given below and the instructions of fig. 17.

- 1 Using a screwdriver, fully unscrew and remove the 2 screws "A "
- 2 Open by lowering the panel "B "
- 3 Lift and take off the casing "C "

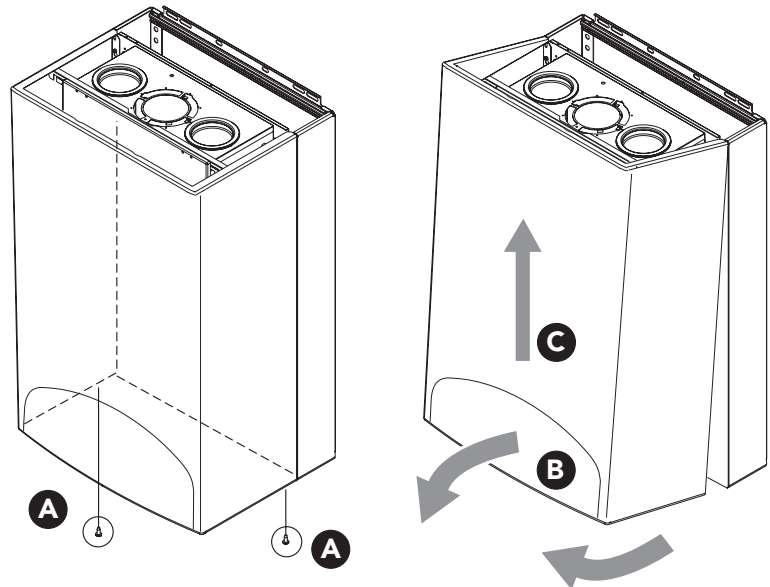



fig. 17

**Cleaning the boiler and burner**


The body and burner must not be cleaned with chemical products or wire brushes. Special care must be taken over all the sealing systems pertaining to the sealed chamber (gaskets, cable clamps, etc.). In addition, it is necessary to pay attention after performing all these operations to check and carry out all the phases of ignition and thermostat operation, the gas valve and circulation pump.

 After these checks, make sure there are no gas leaks.

**Combustion analysis**

It is possible to analyse the combustion through the air and flue sampling points shown in fig. 18.

To make the measurement, it is necessary to:

- 1) Open the flue sampling point
- 2) Insert the probe;
- 3) Press RESET  key for 3 times in 5 seconds to turn on TEST mode;
- 4) Wait 10 minutes for the boiler to stabilize
- 5) Take the measurement.

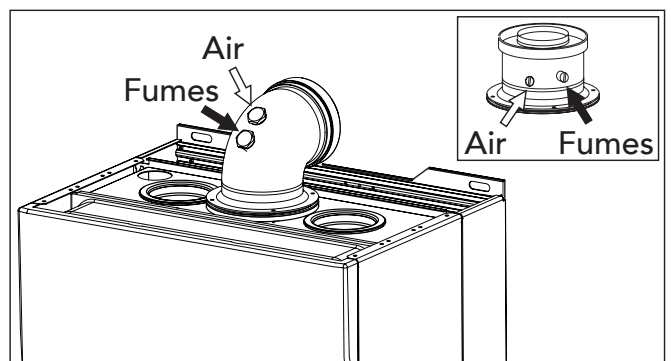



fig. 18

NAT GAS; CO2 reading should be 8.7 to 9.0%

L.P.G; CO2 reading should be 9.5 to 10%

 Readings taken with an unstabilized boiler will cause measurement errors.



## 3.4 Troubleshooting

### Fault Diagnosis

In the event of operating problems or trouble, the display will flash and a fault identification code appears.

There are faults that in order to restore operation the RESET button must be pressed (ref.2 - fig. 1); or if the boiler fails to start, it will be necessary to repair the fault (code nos. F1 to F24). Other faults cause temporary shutdowns that are automatically reset as soon as the value comes back within the boiler's normal working range (codes from 25 to 47).

When the boiler starts functioning normally again, the display stops flashing and the fault code disappears.

Table 6

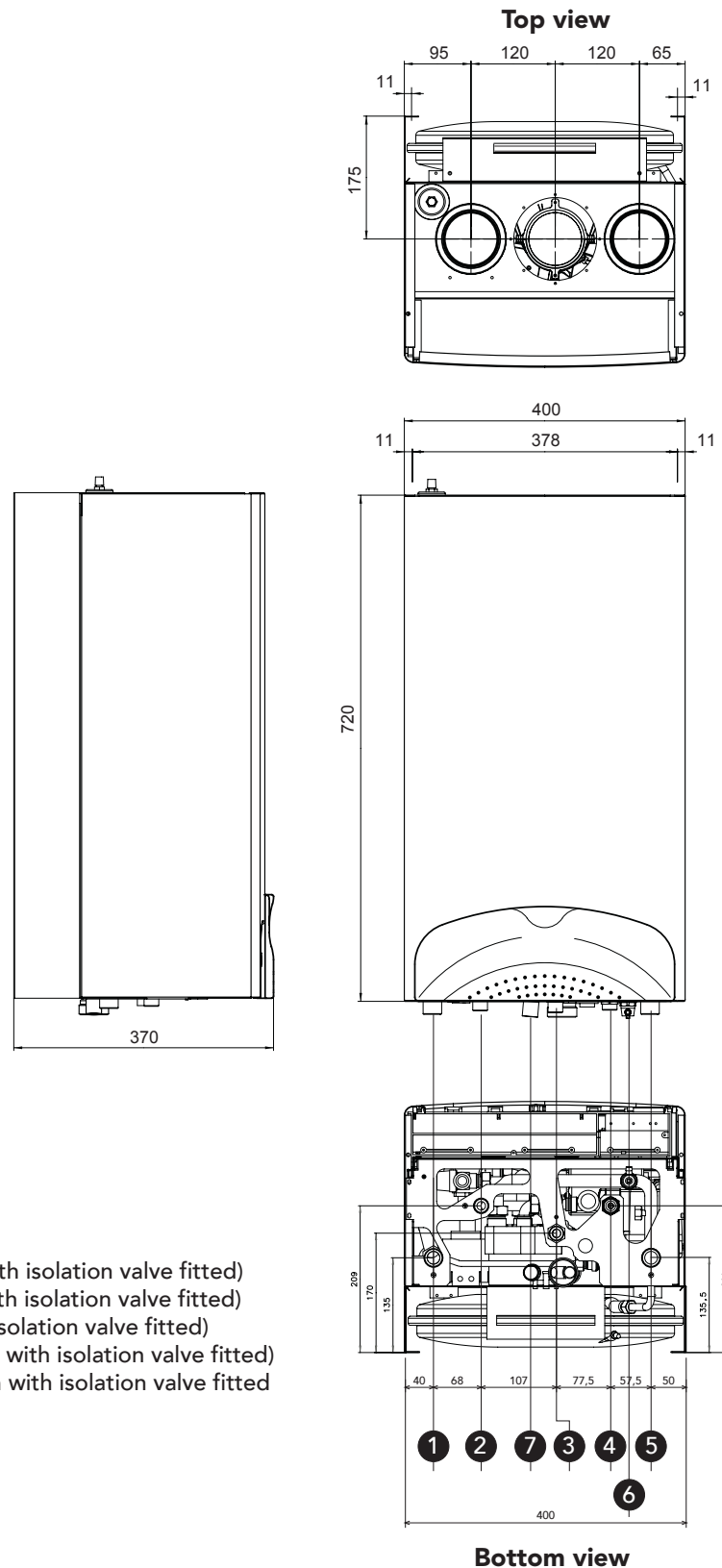
	Fault	Possible cause	Cure
F1	No burner ignition	<ul style="list-style-type: none"> <li>No gas</li> <li>Detection or ignition electrode fault</li> <li>Defective gas valve</li> <li>Incorrect inlet gas pressure</li> <li>Siphon obstructed</li> </ul>	<ul style="list-style-type: none"> <li>Check the regular gas flow to the boiler and the air has been purged from the pipes.</li> <li>Check that the electrodes are correctly positioned and free of any deposits</li> <li>Check and change the gas valve</li> <li>Check inlet gas pressure</li> <li>Check and if necessary change the siphon</li> </ul>
F2	flame detected with the burner off	<ul style="list-style-type: none"> <li>Ionisation electrode defected</li> <li>Main board defected</li> </ul>	<ul style="list-style-type: none"> <li>Check the ionizing electrode wiring</li> <li>Check the CVBC</li> </ul>
F3	100°C Safety thermostat trips	<ul style="list-style-type: none"> <li>Flow sensor not active or correctly located</li> <li>No system circulation</li> </ul>	<ul style="list-style-type: none"> <li>Check the correct positioning and operation of the flow sensor</li> <li>Check the pump and radiator valves present in the system</li> </ul>
F5	Fan problem	<ul style="list-style-type: none"> <li>Tachometer signal interrupted, fan connection</li> <li>Fan damaged, debris in fan</li> </ul>	<ul style="list-style-type: none"> <li>Check the wiring and fan</li> <li>Check the fan, clean debris</li> </ul>
F8	No flame after the ignition phase	<ul style="list-style-type: none"> <li>CVBC fault</li> <li>Ionisation probe fault</li> <li>Mains interference</li> </ul>	<ul style="list-style-type: none"> <li>Check and if necessary change the CVBC</li> <li>Change/clean ionisation probe</li> <li>Check the earthing</li> </ul>
F9	No communication between the CVBC and the gas valve	<ul style="list-style-type: none"> <li>Incorrect wiring</li> <li>Damaged valve</li> </ul>	<ul style="list-style-type: none"> <li>Check the wiring</li> <li>Check the CVBC</li> <li>Change the valve</li> </ul>
F10 ÷ F22	Microprocessor trouble	<ul style="list-style-type: none"> <li>Microprocessor operating trouble</li> </ul>	<ul style="list-style-type: none"> <li>Cut off and restore the electricity supply. If the trouble remains, check and/or change the main PCB</li> </ul>

	Fault	Possible cause	Cure
F25	Software fault	<ul style="list-style-type: none"> <li>• Software operating fault</li> </ul>	<ul style="list-style-type: none"> <li>• Cut off and restore the electricity supply. If the trouble remains, check and/or change the CVBC</li> </ul>
F26	No flame after the ignition phase (5 times in 4 min.)	<ul style="list-style-type: none"> <li>• Detection electrode fault</li> <li>• Flame instable</li> <li>• Incorrect valve gas Offset</li> <li>• Flue gas circuit obstructed</li> <li>• Siphon obstructed</li> </ul>	<ul style="list-style-type: none"> <li>• Check that the electrode is correct positioned and is necessary change it</li> <li>• Check the burner</li> <li>• Check Offset at the minimum power</li> <li>• Check if flue gas circuit is free</li> <li>• Check and if necessary change the siphon</li> </ul>
F30	Flow sensor fault	<ul style="list-style-type: none"> <li>• Sensor damaged or short circuited</li> </ul>	<ul style="list-style-type: none"> <li>• Check the wiring or change the sensor</li> </ul>
F31	Flow sensor fault	<ul style="list-style-type: none"> <li>• Sensor damaged or wiring broken</li> </ul>	<ul style="list-style-type: none"> <li>• Check the wiring or change the sensor</li> </ul>
F34	Supply voltage under 190V. or over 250V.	<ul style="list-style-type: none"> <li>• Electric mains trouble</li> </ul>	<ul style="list-style-type: none"> <li>• Check the electrical system</li> </ul>
F35	Irregular mains frequency	<ul style="list-style-type: none"> <li>• Electric mains trouble</li> </ul>	<ul style="list-style-type: none"> <li>• Check the electrical system</li> </ul>
F36	Main PCB trouble	<ul style="list-style-type: none"> <li>• Faulty CVBC</li> <li>• Water on CVBC</li> </ul>	<ul style="list-style-type: none"> <li>• Change the electronic CVBC</li> </ul>
F37	Incorrect system water pressure	<ul style="list-style-type: none"> <li>• Pressure too low</li> <li>• Sensor damaged</li> </ul>	<ul style="list-style-type: none"> <li>• Fill the system</li> <li>• Check the sensor</li> </ul>
F43	Return sensor fault	<ul style="list-style-type: none"> <li>• Sensor damaged or wiring shorted</li> </ul>	<ul style="list-style-type: none"> <li>• Check the wiring or change the sensor</li> </ul>
F44	Return sensor fault	<ul style="list-style-type: none"> <li>• Sensor damaged or wiring broken</li> </ul>	<ul style="list-style-type: none"> <li>• Check the wiring or change the sensor</li> </ul>
F45	Flue sensor fault	<ul style="list-style-type: none"> <li>• Sensor damaged or wiring shorted</li> </ul>	<ul style="list-style-type: none"> <li>• Check the wiring or change the sensor</li> </ul>
F46	Flue sensor fault	<ul style="list-style-type: none"> <li>• Sensor damaged or wiring broken</li> </ul>	<ul style="list-style-type: none"> <li>• Check the wiring or change the sensor</li> </ul>



## 4 TECHNICAL CHARACTERISTICS AND DATA

### 4.1 Dimensions and connections

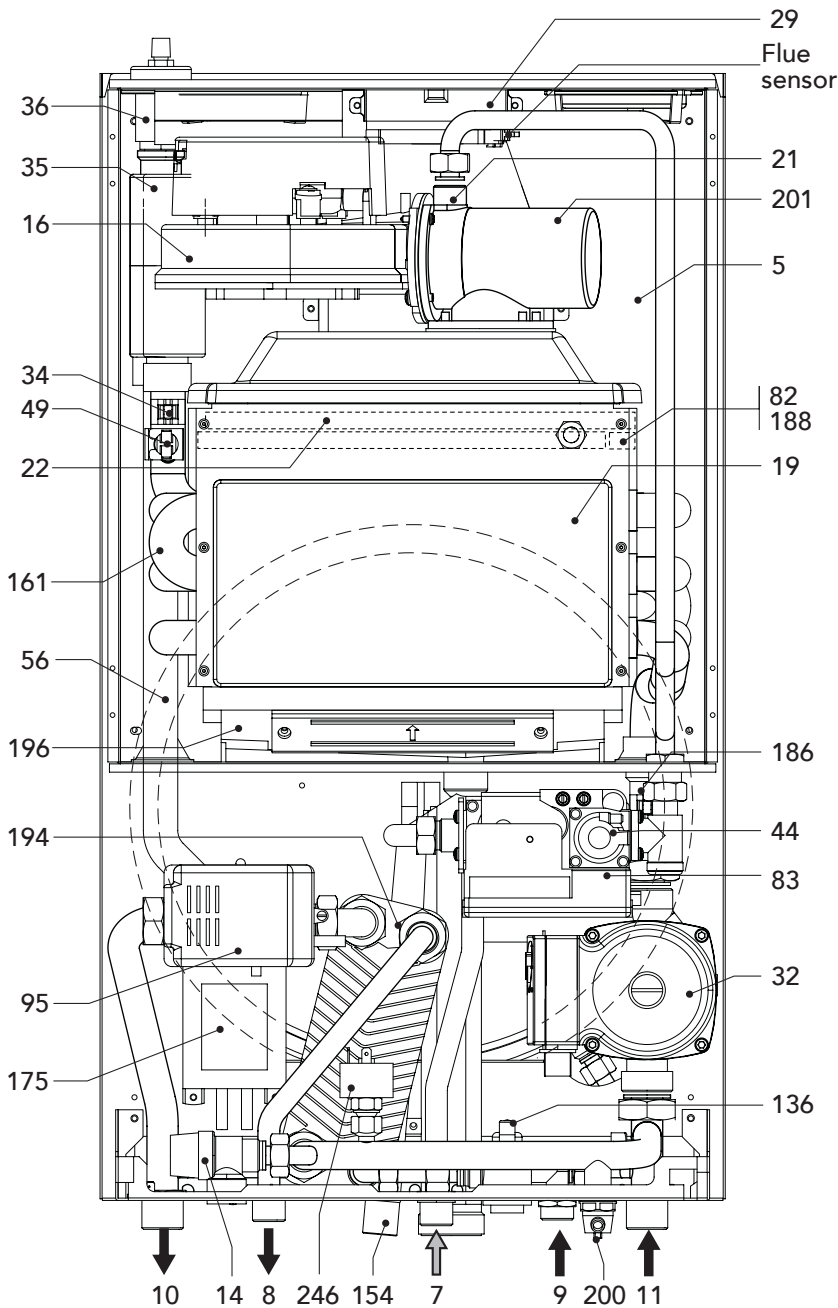


**Key**

- 1 System flow (22 mm with isolation valve fitted)
- 2 DHW outlet (15 mm with isolation valve fitted)
- 3 Gas inlet (22 mm with isolation valve fitted)
- 4 Cold main inlet (15 mm with isolation valve fitted)
- 5 System return - 22 mm with isolation valve fitted (c/w filter)
- 6 System drain
- 7 Condense outlet

fig. 19

4.2 General view and main components



Key

- 5 Combustion chamber
- 7 Gas inlet
- 8 Domestic hot water outlet
- 9 Cold water inlet
- 10 CH flow
- 11 CH return
- 14 Safety valve
- 16 Premix fan
- 19 Combustion chamber
- 21 Gas injector
- 22 Ceramic burner
- 29 Flue outlet manifold
- 32 Ferrolli pump
- 34 Heating flow sensor
- 35 Air separator
- 36 Automatic air vent
- 44 Gas valve
- 49 Safety thermostat
- 56 8 ltr Expansion vessel
- 82 Ionisation probe
- 83 C.v.b.c unit
- 95 Diverting valve
- 136 Flow meter
- 154 Condensate outlet pipe
- 161 Heat exchanger
- 175 Transformer
- 186 Return sensor
- 188 Ignition electrode
- 194 DHW plate heat exchanger
- 196 Condensate collector
- 200 System drain off
- 201 Fan Venturi
- 246 Water pressure switch

fig. 20

## 4.3 Hydraulic diagram

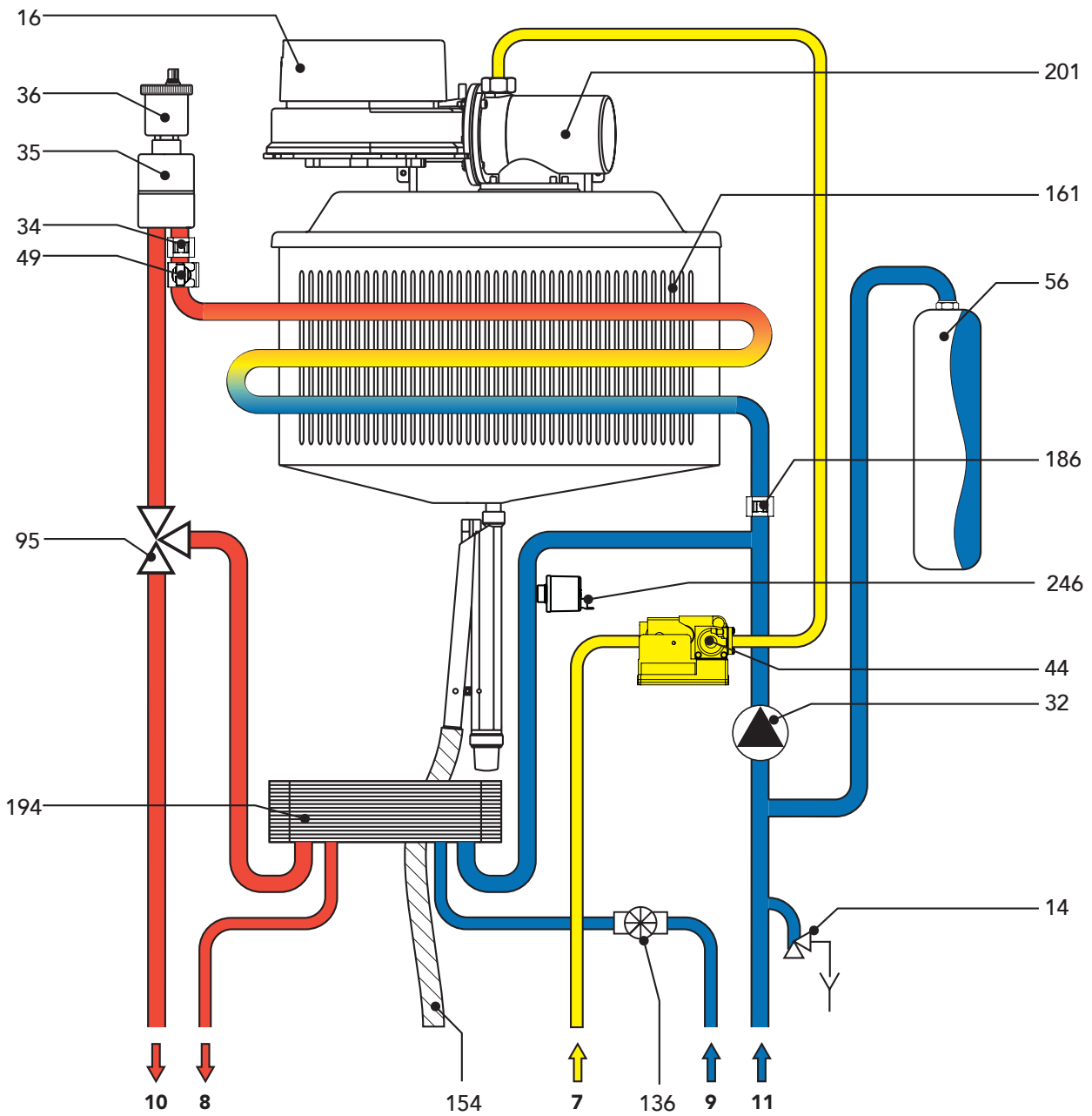


fig. 21

### Key

- |                                   |  |
|-----------------------------------|--|
| <b>7</b> Gas inlet                | <b>44</b> Gas valve                      |
| <b>8</b> DHW outlet               | <b>49</b> Safety thermostat              |
| <b>9</b> Cold main inlet          | <b>56</b> Expansion vessel               |
| <b>10</b> CH flow                 | <b>95</b> Motorised Diverting valve      |
| <b>11</b> CH return               | <b>136</b> Flow meter                    |
| <b>14</b> Heating safety valve    | <b>154</b> Condensate outlet pipe        |
| <b>16</b> Premix fan assembly     | <b>161</b> Heat exchanger                |
| <b>32</b> Heating pump            | <b>186</b> Return sensor                 |
| <b>34</b> Flow temperature sensor | <b>194</b> Domestic plate Heat exchanger |
| <b>35</b> Air separator           | <b>201</b> Fan Venturi                   |
| <b>36</b> Automatic air vent      | <b>246</b> System pressure sensor        |

## 4.4 Technical data table

Table 10

<b>Powers</b>		<b>Pmax</b>	<b>Pmin</b>
Hi Heating power	kW	25,2	7,5
Hi DHW power	kW	30,0	7,5
Useful Heating Power 80° C - 60° C	kW	24,7	7,3
Useful Heating Power 50° C - 30° C	kW	26,4	8,0
Useful DHW Power	kW	29,4	7,3
Natural Gas delivery (G20) Heating	m <sup>3</sup> /h	2,67	0,79
Natural Gas delivery (G20) DHW	m <sup>3</sup> /h	3,17	0,79
Natural Gas supply pressure (G20)	mbar	20	20
LPG flow rate (G31) Heating	kg/h	1,96	0,58
LPG flow rate (G31) DHW	kg/h	2,35	0,58
LPG supply pressure (G31)	mbar	37	37
<b>Combustion</b>		<b>Pmax</b>	<b>Pmin</b>
CO <sub>2</sub> (G20 - Natural Gas)	%	9,0	8,7
Gas nozzle (G20 - Natural Gas)	Ø mm	5,6	
CO <sub>2</sub> (G31 - Propane)	%	10	9,5
Gas nozzle (G31 - Propane)	Ø mm	4,1	
Flue temperature 80° C-60° C	°C	65	60
Flue temperature 50° C-30° C	°C	46	31
Flue flow rate	kg/h	43	13
Quantity of condensate	kg/h	3,3	1,4
pH of condensation water	pH	4,1	
Energy marking (92/42 EEC directive)		★★★★	
NO <sub>x</sub> emission class		5	
<b>Heating</b>			
Heating temperature adjustment range	°C	20 - 90	
Maximum working temperature in heating	°C	90	
Maximum working pressure in heating	bar	3	
Minimum working pressure in heating	bar	0.8	
Expansion vessel capacity	litres	8	
Expansion vessel pre-filling pressure	bar	1	
Total boiler water content	litres	1,7	
<b>Hot water</b>			
Hot tap water supply Δt 25° C	l/min	16,9	
Hot tap water supply Δt 30° C	l/min	14,0	
Hot tap water supply Δt 35° C	l/min	12,0	
Tap water temperature adjustment range	°C	40 - 65	
Maximum working pressure in hot water production	bar	10	
Minimum working pressure in hot water production	bar	0.25	
<b>Dimensions, weights connections</b>			
Height	mm	720	
Width	mm	400	
Depth	mm	358	
Weight empty	kg	46	
Gas system connection (with isolation valve fitted)	mm	Ø22	
Heating system connections (with isolation valve fitted)	mm	Ø22	
Hot water circuit connections (with isolation valve fitted)	mm	Ø15	
Maximum length of separate flues D=80*	m <sub>eq</sub>	75	
<small>(*Measurement given in equivalent linear metres – cfr FERROLI calculation system)</small>			
<b>Electrical power supply</b>			
Max electrical power absorbed	W	140	
Electric power drawn by the circulator (Speed I-II-III)	W	40-65-90	



## 4.5 Diagrams

### Head available for the system

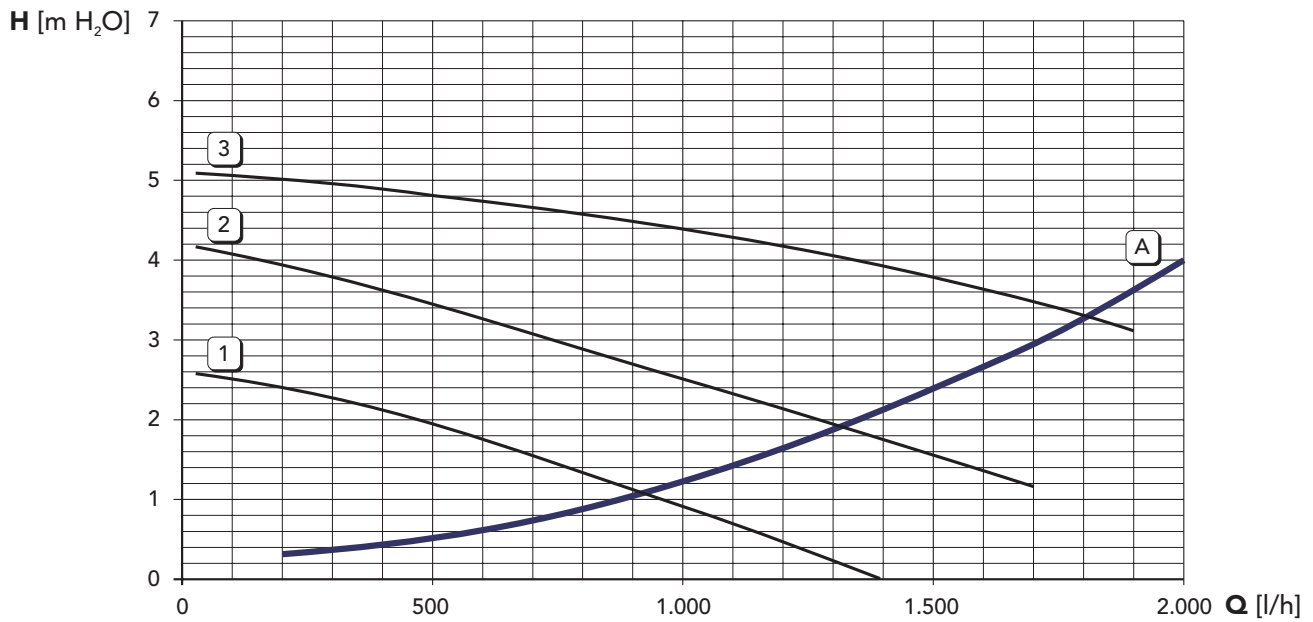


fig. 22

#### Key

1 - 2 - 3 = Pump selector positions  
 (In order to obtain maximum hot water output the pump must be left in position 3).

A = Boiler losses of head



4.6 Wiring diagram

Key

- 16 Fan
- 32 Ferroli pump
- 34 C.h. flow temperature sensor
- 44 Combination gas valve
- 49 Overheat cut-off thermostat
- 81 Spark electrode
- 82 Ionisation electrode
- 95 Diverting valve
- 114 Water pressure switch
- 136 Flowmeter
- 186 Return sensor
- 191 Flue temperature sensor

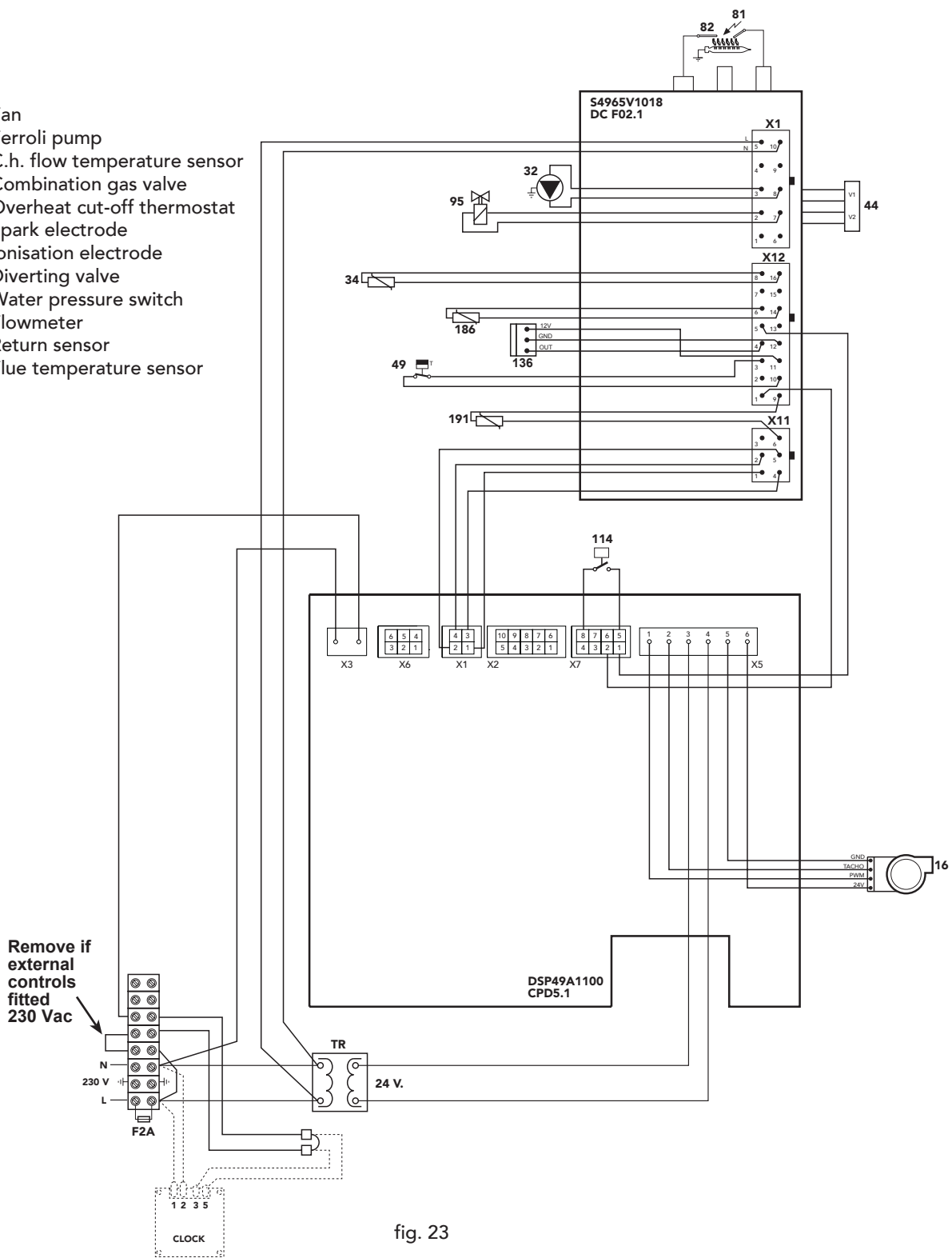


fig. 23





# GAS BOILER COMMISSIONING CHECKLIST

**BOILER SERIAL No.** \_\_\_\_\_ **NOTIFICATION No.** \_\_\_\_\_

**CONTROLS** To comply with the Building Regulations, each section must have a tick in one or other of the boxes

TIME & TEMPERATURE CONTROL TO HEATING	ROOM T/STAT & PROGRAMMER/TIMER <input type="checkbox"/>	PROGRAMMABLE ROOMSTAT <input type="checkbox"/>
TIME & TEMPERATURE CONTROL TO HOT WATER	CYLINDER T/STAT & PROGRAMMER/TIMER <input type="checkbox"/>	COMBI BOILER <input type="checkbox"/>
HEATING ZONE VALVES	FITTED <input type="checkbox"/>	NOT REQUIRED <input type="checkbox"/>
HOT WATER ZONE VALVES	FITTED <input type="checkbox"/>	NOT REQUIRED <input type="checkbox"/>
THERMOSTATIC RADIATOR VALVES	FITTED <input type="checkbox"/>	
AUTOMATIC BYPASS TO SYSTEM	FITTED <input type="checkbox"/>	NOT REQUIRED <input type="checkbox"/>

**FOR ALL BOILERS CONFIRM THE FOLLOWING**

THE SYSTEM HAS BEEN FLUSHED IN ACCORDANCE WITH THE BOILER MANUFACTURER'S INSTRUCTIONS?   
 THE SYSTEM CLEANER USED \_\_\_\_\_  
 THE INHIBITOR USED \_\_\_\_\_

**FOR THE CENTRAL HEATING MODE, MEASURE & RECORD**

GAS RATE \_\_\_\_\_ m<sup>3</sup>/hr \_\_\_\_\_ ft<sup>3</sup>/hr  
 BURNER OPERATING PRESSURE (IF APPLICABLE)  N/A \_\_\_\_\_ mbar  
 CENTRAL HEATING FLOW TEMPERATURE \_\_\_\_\_ °C  
 CENTRAL HEATING RETURN TEMPERATURE \_\_\_\_\_ °C

**FOR COMBINATION BOILERS ONLY**

HAS A WATER SCALE REDUCER BEEN FITTED? YES  NO   
 WHAT TYPE OF SCALE REDUCER HAS BEEN FITTED? \_\_\_\_\_

**FOR THE DOMESTIC HOT WATER MODE, MEASURE & RECORD**

GAS RATE \_\_\_\_\_ m<sup>3</sup>/hr \_\_\_\_\_ ft<sup>3</sup>/hr  
 MAXIMUM BURNER OPERATING PRESSURE (IF APPLICABLE)  N/A \_\_\_\_\_ mbar  
 COLD WATER INLET TEMPERATURE \_\_\_\_\_ °C  
 HOT WATER OUTLET TEMPERATURE \_\_\_\_\_ °C  
 WATER FLOW RATE \_\_\_\_\_ lts/min

**FOR CONDENSING BOILERS ONLY CONFIRM THE FOLLOWING**

THE CONDENSATE DRAIN HAS BEEN INSTALLED IN ACCORDANCE WITH THE MANUFACTURER'S INSTRUCTIONS? YES

**FOR ALL INSTALLATIONS CONFIRM THE FOLLOWING**

THE HEATING AND HOT WATER SYSTEM COMPLIES WITH CURRENT BUILDING REGULATIONS   
 THE APPLIANCE AND ASSOCIATED EQUIPMENT HAS BEEN INSTALLED AND COMMISSIONED IN ACCORDANCE WITH THE MANUFACTURER'S INSTRUCTIONS   
 IF REQUIRED BY THE MANUFACTURER, HAVE YOU RECORDED A CO/CO<sub>2</sub> RATIO READING? N/A  YES \_\_\_\_\_ CO/CO<sub>2</sub> RATIO  
 THE OPERATION OF THE APPLIANCE AND SYSTEM CONTROLS HAVE BEEN DEMONSTRATED TO THE CUSTOMER   
 THE MANUFACTURER'S LITERATURE HAS BEEN LEFT WITH THE CUSTOMER

**COMMISSIONING ENG'S NAME** PRINT \_\_\_\_\_ CORGI ID No. \_\_\_\_\_  
 SIGN \_\_\_\_\_ DATE \_\_\_\_\_

# SERVICE INTERVAL RECORD

It is recommended that your heating system is serviced regularly and that you complete the appropriate Service Interval Record Below.

**Service Provider.** Before completing the appropriate Service Interval Record below, please ensure you have carried out the service as described in the boiler manufacturer's instructions. Always use the manufacturer's specified spare part when replacing all controls

## SERVICE 1 DATE

ENGINEER NAME \_\_\_\_\_  
COMPANY NAME \_\_\_\_\_  
TEL No. \_\_\_\_\_  
CORGI ID CARD SERIAL No. \_\_\_\_\_  
COMMENTS \_\_\_\_\_  
SIGNATURE \_\_\_\_\_

## SERVICE 2 DATE

ENGINEER NAME \_\_\_\_\_  
COMPANY NAME \_\_\_\_\_  
TEL No. \_\_\_\_\_  
CORGI ID CARD SERIAL No. \_\_\_\_\_  
COMMENTS \_\_\_\_\_  
SIGNATURE \_\_\_\_\_

## SERVICE 3 DATE

ENGINEER NAME \_\_\_\_\_  
COMPANY NAME \_\_\_\_\_  
TEL No. \_\_\_\_\_  
CORGI ID CARD SERIAL No. \_\_\_\_\_  
COMMENTS \_\_\_\_\_  
SIGNATURE \_\_\_\_\_

## SERVICE 4 DATE

ENGINEER NAME \_\_\_\_\_  
COMPANY NAME \_\_\_\_\_  
TEL No. \_\_\_\_\_  
CORGI ID CARD SERIAL No. \_\_\_\_\_  
COMMENTS \_\_\_\_\_  
SIGNATURE \_\_\_\_\_

## SERVICE 5 DATE

ENGINEER NAME \_\_\_\_\_  
COMPANY NAME \_\_\_\_\_  
TEL No. \_\_\_\_\_  
CORGI ID CARD SERIAL No. \_\_\_\_\_  
COMMENTS \_\_\_\_\_  
SIGNATURE \_\_\_\_\_

## SERVICE 6 DATE

ENGINEER NAME \_\_\_\_\_  
COMPANY NAME \_\_\_\_\_  
TEL No. \_\_\_\_\_  
CORGI ID CARD SERIAL No. \_\_\_\_\_  
COMMENTS \_\_\_\_\_  
SIGNATURE \_\_\_\_\_

## SERVICE 7 DATE

ENGINEER NAME \_\_\_\_\_  
COMPANY NAME \_\_\_\_\_  
TEL No. \_\_\_\_\_  
CORGI ID CARD SERIAL No. \_\_\_\_\_  
COMMENTS \_\_\_\_\_  
SIGNATURE \_\_\_\_\_

## SERVICE 8 DATE

ENGINEER NAME \_\_\_\_\_  
COMPANY NAME \_\_\_\_\_  
TEL No. \_\_\_\_\_  
CORGI ID CARD SERIAL No. \_\_\_\_\_  
COMMENTS \_\_\_\_\_  
SIGNATURE \_\_\_\_\_

## SERVICE 9 DATE

ENGINEER NAME \_\_\_\_\_  
COMPANY NAME \_\_\_\_\_  
TEL No. \_\_\_\_\_  
CORGI ID CARD SERIAL No. \_\_\_\_\_  
COMMENTS \_\_\_\_\_  
SIGNATURE \_\_\_\_\_

## SERVICE 10 DATE

ENGINEER NAME \_\_\_\_\_  
COMPANY NAME \_\_\_\_\_  
TEL No. \_\_\_\_\_  
CORGI ID CARD SERIAL No. \_\_\_\_\_  
COMMENTS \_\_\_\_\_  
SIGNATURE \_\_\_\_\_







**Should you require help during installation  
call our Technical Helpline on  
08707 282 885 option 1  
To book a Ferroli service engineer  
call Ferroli caresafe on  
08707 282 885 option 2**

**Phone numbers:**

**Installer** \_\_\_\_\_

**Service Engineer** \_\_\_\_\_

**BECAUSE OF OUR CONSTANT ENDEAVOUR FOR IMPROVEMENT DETAILS  
MAY VARY SLIGHTLY FROM THOSE QUOTED IN THESE INSTRUCTIONS.**

---

**ALL SPECIFICATIONS SUBJECT TO CHANGE**

**Please note** - to avoid incurring unnecessary expense, in the event of a boiler shut down, check this is not caused by lack of electricity supply, gas supply or low water pressure before calling our Customer Service Helpline.

**Lichfield Road, Branston Industrial Estate, Burton Upon Trent, Staffordshire DE14 3HD  
Tel. 08707 282 885 - Fax 08707 282 886**