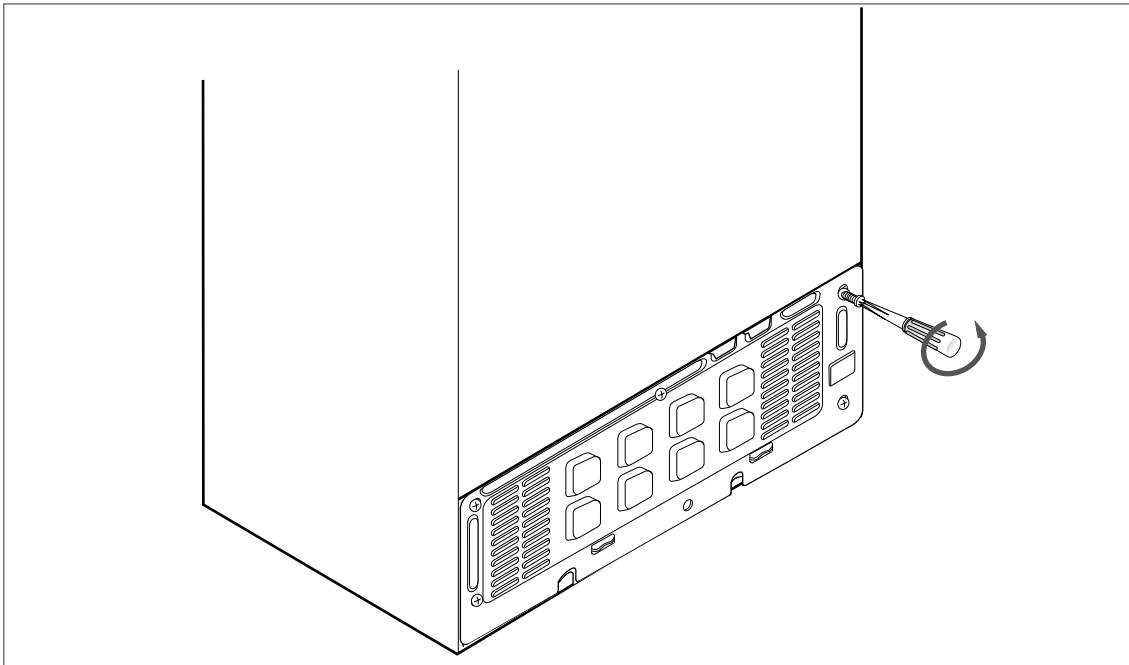
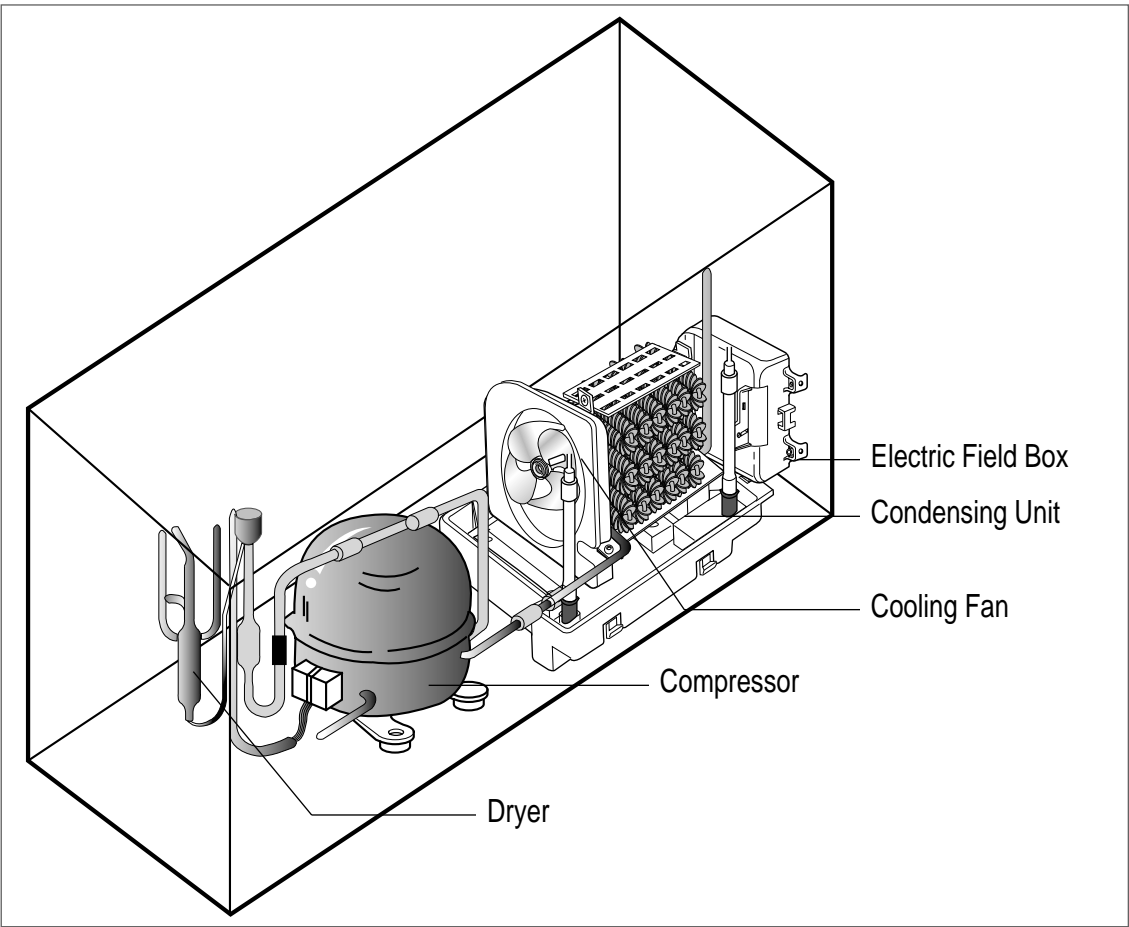


### 13. Machine Room Assembly Specification

13-1) Please remove fixed screw of cover of machine room of Refrigerator rear low part.

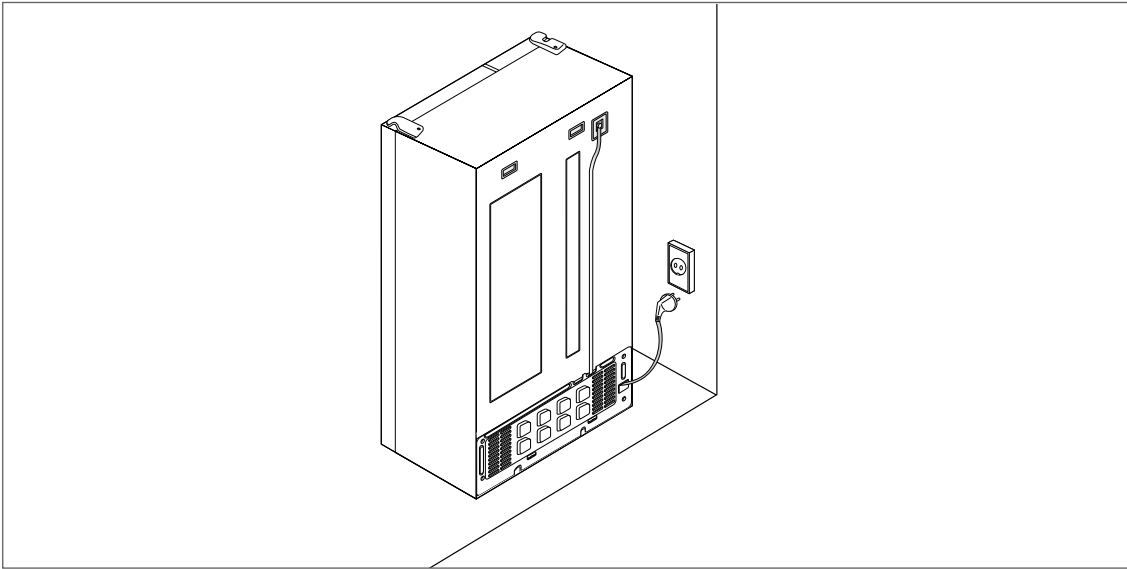


13-2) Machine Room Assembly Specification

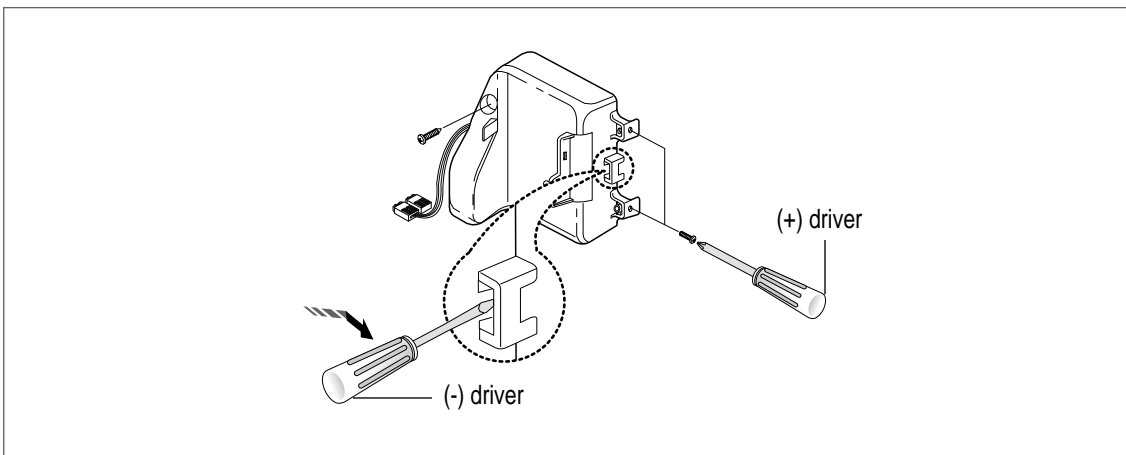


## 14. Disassembly & Assembly Method of Internal Part of Electric Field Box

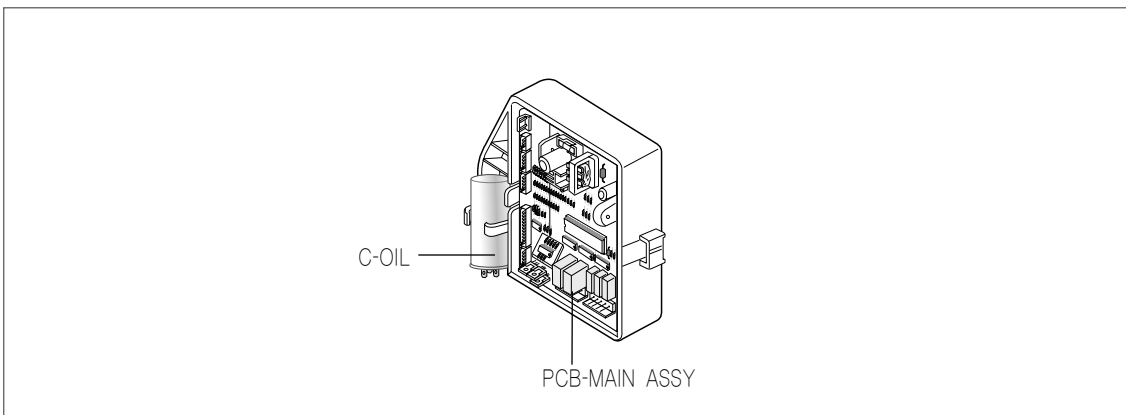
14-1) Please cut-off the power supply of refrigerator.



14-2) Please deviate cover of electric field box using driver.



14-3) Assembly Specification of Electric Field Box





**272, Oseon-Dong, Kwangsan-Gu,  
Kwangju-City, Korea, 506-723  
TEL : 82-62-950-6896,6193  
FAX : 82-62-950-6829**

**- This Service Manual is a property of Samsung Electronics Co., Ltd.  
Any unauthorized use of Manual can be punished under applicable  
International and/or domestic law. -**